

ASAP LOCK

ANSI / ASSE: Z359.15

Patented

Mobile fall arrester for rope
Antichute mobile sur corde

WARNING / ATTENTION

Activities involving the use of this equipment are inherently dangerous. You are responsible for your own actions and decisions.

Before using this equipment, you must:

- Read and understand all Instructions for Use.
- Get specific training in its proper use.
- Become acquainted with its capabilities and limitations.
- Understand and accept the risks involved.

FAILURE TO HEED ANY OF THESE WARNINGS MAY RESULT IN SEVERE INJURY OR DEATH.

Les activités impliquant l'utilisation de cet équipement sont par nature dangereuses. Vous êtes responsable de vos actes, de vos décisions et de votre sécurité.

Avant d'utiliser cet équipement, vous devez :

- Lire et comprendre toutes les instructions d'utilisation.
- Vous former spécifiquement à l'utilisation de cet équipement.
- Vous familiariser avec votre équipement, apprendre à connaître ses performances et ses limites.
- Comprendre et accepter les risques induits.

LE NON-RESPECT D'UN SEUL DE CES AVERTISSEMENTS PEUT ÊTRE LA CAUSE DE BLESSURES GRAVES OU MORTELLES.

PETZL.COM Latest version Dernière version

i Other languages Autres langues

i+ Technical tips Conseils techniques

Q PPE checking Fiche de contrôle EPI

Warning symbols Panneaux d'alertes

(1) (2) (3) (4)

PETZL
FR-38920 Crolles
Cidex 105A
PETZL.COM
ISO 9001 © Petzl
Tel: +33 (0)4 76 92 09 00

PETZL Sustaining our Community
Au service de la Communauté
Fondation **FONDATION-PETZL.ORG**



Traceability and markings Traçabilité et marquage

a. **CE** **b.** 0082

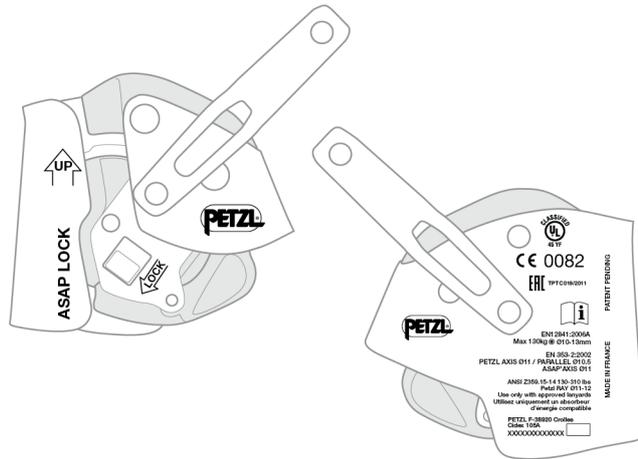
APAVE SUDEUROPE SAS
8 rue Jean-Jacques Vermezza
Z.A.C. Saumaty-Séon - CS 60193
13322 Marseille CEDEX 16 France
N°0082

e. Individual number / Numéro individuel
YY M 0000000 000

f. **g.** **h.** **i.** **l.**

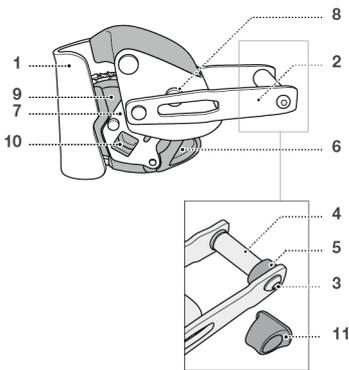
n. Certification organisation (ANSI/ASSP)

CLASSIFIED
UL
45 YF



1. Field of application (text part)
Champ d'application (partie texte)

2. Nomenclature



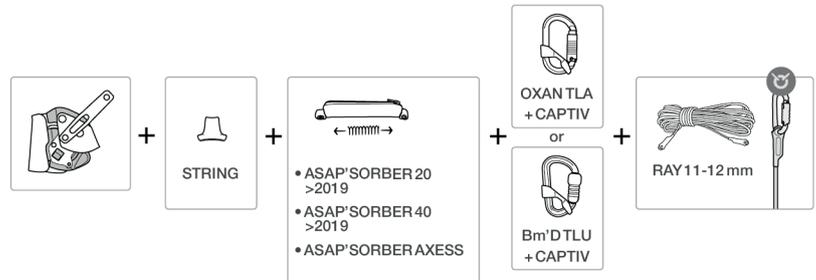
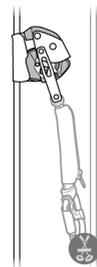
3. Inspection, points to verify
Contrôle, points à vérifier



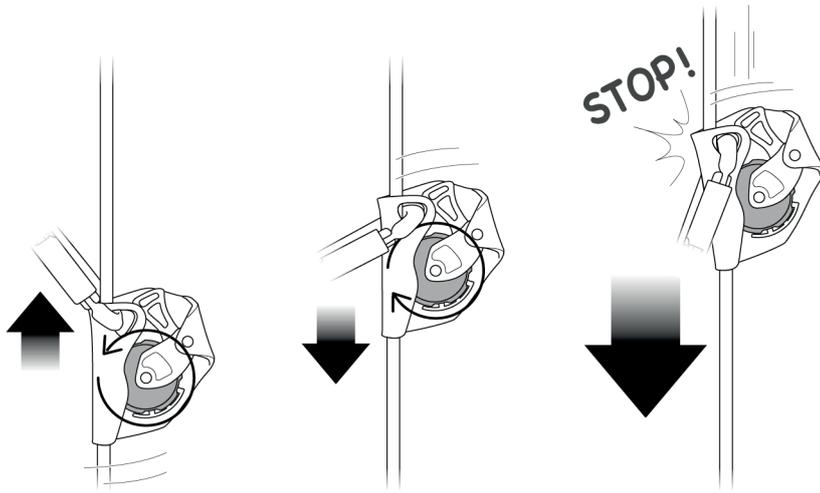
ASAP LOCK — B071BA00

FALL ARRESTER
IN ACCORDANCE WITH
ANSI/ASSP Z359.15-2014

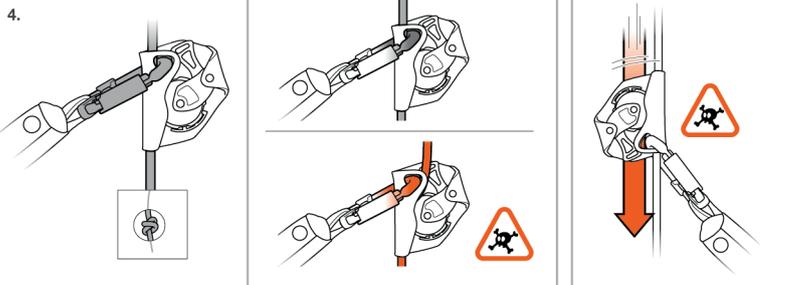
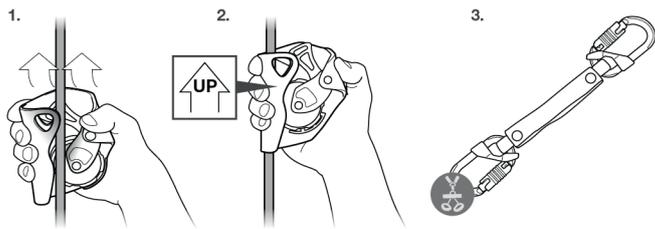
4. Compatibility
Compatibilité



5. Working principle
Principe fonctionnement



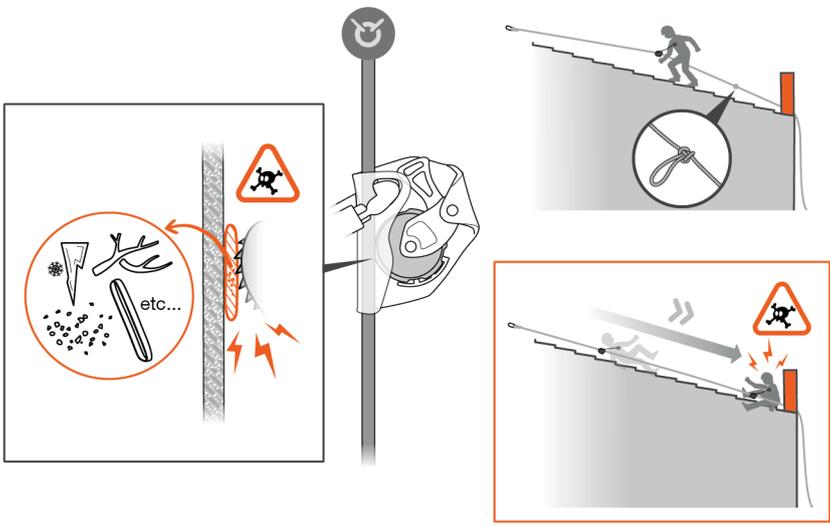
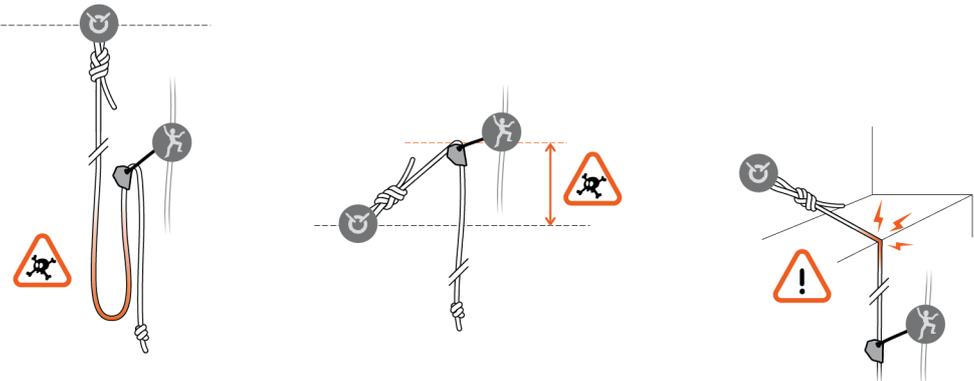
6. Installation and function test
Mise en place et test de fonctionnement



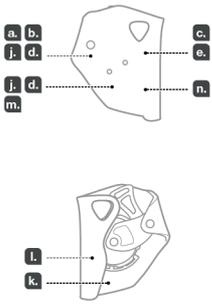
Test



7. Precautions for use
Précautions d'utilisation



Traceability and markings
Traçabilité et marquage



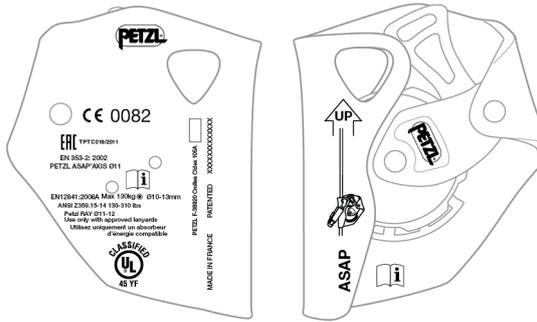
a. **b.** 0082

APAVE SUDEUROPE SAS
8 rue Jean-Jacques Vernazza
Z.A.C. Saumaty-Séon - CS 60193
13322 Marseille CEDEX 16 France
N°0082

e. Individual number / Numéro individuel
YY M 0000000 000

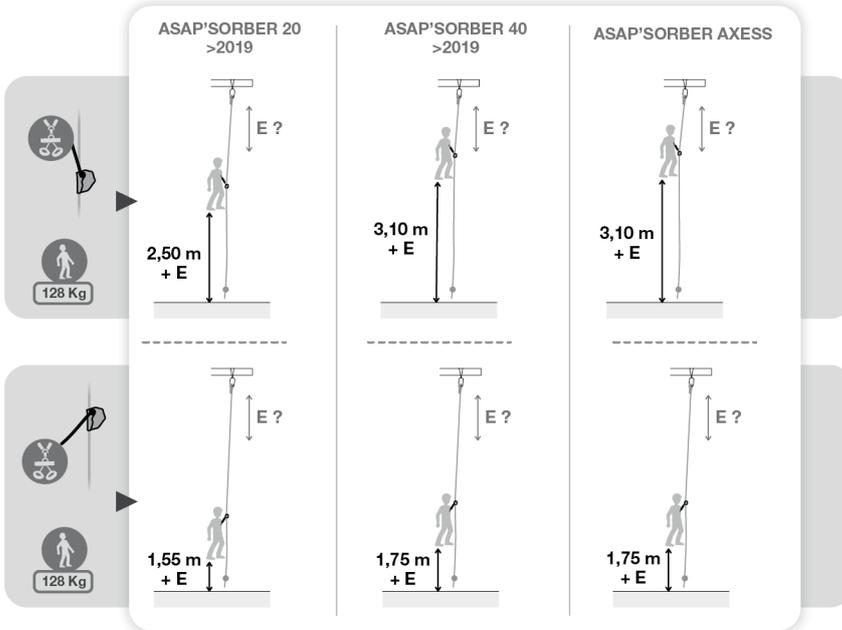
f. **g.** **h.** **i.**

n. Certification organisation (ANSI ASSP)



ASAP — B070AA00
FALL ARRESTER
IN ACCORDANCE
WITH ANSI/ASSP Z359.15-2014

8. Clearance
Tirant d'air



9. Cleaning (text part)
Nettoyage (partie texte)

10. Additional information
Informations complémentaires

A. Lifetime / Durée de vie unlimited / illimitée

B. Acceptable T° / T° tolérées + 50°C / + 122°F
- 20°C / - 4°F

C. Precautions for use / Précautions d'usage

D. Cleaning / Nettoyage + 30°C maxi. / + 86°F maxi.

E. Drying / Séchage + 30°C maxi. / + 86°F maxi.

F. Storage - Transport / Stockage - transport + 30°C / + 86°F
+ 10°C / + 50°F

G. Maintenance Entretien

H. Modifications - Repairs / Modifications - Réparations → Petzl

I. FAQ - Contact / Questions - Contact → petzl.com

EN

These instructions explain how to correctly use your equipment. Only certain techniques and uses are described. The warning symbols inform you of some potential dangers related to the use of your equipment, but it is impossible to describe them all. Check Petzl.com for updates and additional information. You are responsible for heeding each warning and using your equipment correctly. Any misuse of this equipment creates additional dangers. Contact Petzl if you have any doubts or difficulty understanding these instructions.

1. Field of application

Personal protective equipment (PPE).

ASAP LOCK: mobile fall arrester for ropes, with locking function.

This product must not be pushed beyond its limits, nor be used for any purpose other than that for which it is designed.

Responsibility

WARNING

Activities involving the use of this equipment are inherently dangerous.

You are responsible for your own actions, decisions and safety.

Before using this equipment, you must:

- Read and understand all Instructions for Use.
- Get specific training in its proper use.
- Become acquainted with its capabilities and limitations.
- Understand and accept the risks involved.

Failure to heed any of these warnings may result in severe injury or death.

This product must only be used by competent and responsible persons, or those placed under the direct and visual control of a competent and responsible person. You are responsible for your actions and your safety and you assume the consequences of same. If you are not able, or not in a position to assume this responsibility, or if you do not fully understand the Instructions for Use, do not use this equipment.

2. Nomenclature

(1) Frame, (2) Clevis, (3) Screw, (4) Connection pin, (5) Spacer, (6) Safety catches, (7) Arm, (8) Arm axle, (9) Locking wheel, (10) Locking button, (11) STRING.

Principal materials: aluminum alloy (frame, arm), stainless steel (locking wheel, clevis), polyester, nylon (ropes).

3. Inspection, points to verify

Your safety depends upon the integrity of your equipment.

Petzl recommends a detailed inspection by a competent person at least once every 12 months (depending on current regulations in your country, and your conditions of usage). Warning: your intensity of use may cause you to inspect your PPE more frequently. Follow the procedures described at Petzl.com. Record the results on your PPE inspection form: type, model, manufacturer contact info, serial number or individual number, dates: manufacture, purchase, first use, next periodic inspection; problems, comments, inspector's name and signature.

Before each use

ASAP LOCK: verify that the absorber is correctly installed on the clevis, and that the screw is properly tightened.

Verify the absence of any cracks, nicks, deformation, wear, corrosion (on the frame, wheel, arm, clevis).

Verify the condition of the safety catches, and that their return spring works.

Verify that the arm pivots on the axle, and that the return spring works. Verify that the locking wheel is clean and that the teeth are not worn out. Warning: if one or more teeth are missing, do not use the ASAP LOCK.

If the teeth are dirty, see the paragraph on Cleaning, maintenance. Verify that the locking wheel rotates smoothly, through one complete revolution in both directions.

Rope: check the condition of the rope according to the manufacturer's instructions. The rope must be retired if it has held a fall, if the core seems deformed, or if the sheath is damaged or stained.

During use

It is important to regularly monitor the condition of the product and its connections to the other equipment in the system. Make sure that all items of equipment are correctly positioned with respect to each other.

Beware of foreign objects that can prevent the locking wheel from pressing against the rope, or from turning. Protect your ASAP LOCK from splashes while working (paint, cement...). Make sure that the locking wheel is always engaged on the rope.

4. Compatibility

Verify that this product is compatible with the other elements of the system in your application (compatible = good functional interaction).

Harness:

Connect your ASAP LOCK's energy absorber to a fall arrest attachment point on your harness.

Energy-absorbing lanyard:

Use the ASAP LOCK only with compatible Petzl energy absorbers certified to the ANSI Z359.13 standard:

- ASAP SORBBER 20 and 40 (2019 and later versions).
- ASAP SORBBER AXESS.

The energy absorber must not be extended (one connector maximum (12 cm maximum length) at each end).

Rope:

Use the ASAP LOCK with RAY 11-12 mm rope.

5. Working principle

At moderate speeds, the locking wheel turns freely in both directions. When a rapid downward movement occurs, the locking wheel stops rotating and the rope is locked by being pinched between the wheel and the frame.

6. ASAP setup, and function test

Preparation:

Use only your ASAP LOCK's original screw. Apply thread lock to the screw before assembly. Install the energy absorber and close the clevis. Tighten, check the correct positioning of the axle and the screw tightness.

Harness attachment:

Use only the OXAN TRACT-LOCK connector (international version) with CAPTIV bar.

Installation: open the safety catches to place the rope in the frame, close the catches to engage the locking wheel on the rope.

Warning: the ASAP LOCK is a directional device and locks in only one direction. Danger of death if the ASAP LOCK is positioned upside down on the rope.

Perform a function test for each installation.

Unlocking: after the function test, unlock the wheel to enable normal movement on the rope. **Locking function:** use the wheel's locking button to prevent the ASAP LOCK from moving downward on the rope. Warning: in case of accidental suspension on a locked ASAP LOCK, it cannot be unlocked while under load.

7. Precautions for use

Possible to create a travel-stop by tying a knot in the rope.

As you progress, regularly check that the rope is sliding properly in the ASAP LOCK, to avoid creating a loop of slack that could increase the potential fall distance. Maximum allowable fall distance: twice the length of the energy absorber (including connectors). The mobile fall arrester must not be connected to more than one rope. The mobile fall arrester must not be connected to more than one user.

Working load of 130 lbs (58 kg) to 310 lbs (140 kg). Do not use the mobile fall arrester when the user is positioned on an unstable surface, fine grain material or particulate solids such as sand or coal.

To move the ASAP LOCK along the rope, do not hold it with your whole hand; pull it using the energy absorber.

A dynamic overload can damage the rope. If the ASAP LOCK's rope is loaded, the user must be equipped with another backup system.

Usage on an incline:

WARNING: in case of a slow slide on a low-angle roof, for example, the ASAP may not activate immediately. Be sure to tie a stopper knot in the rope if there is a risk of hitting an obstacle.

8. Clearance

Your position relative to the mobile fall arrester determines the potential fall distance: if you find yourself above the mobile fall arrester - with no slack in the rope - your potential fall distance is twice the length of the energy absorber (including connectors). Clearance is the minimum amount of clear space below the user that prevents the user from hitting an obstacle in the event of a fall.

Clearance takes into account:

- The length of the fall.
- The ASAP LOCK's stopping distance.
- The tearing length of the energy absorber.
- The average height of the user.
- A safety margin of 1 m.

The rope's elasticity (E) varies according to the situation and must be added to your clearance calculation.

For more information, see the ASAP LOCK technical tips at Petzl.com.

The values presented are based on theoretical estimations and fall tests using a rigid mass. In a fall arrest system, take into account the length of any connectors that will have an effect on the fall distance.

9. Cleaning, maintenance

Avoid getting any liquid inside the locking wheel's mechanism.

To clean the locking wheel teeth, using a solvent is not recommended, but is possible if applied with a brush, taking care to avoid getting any solvent in the mechanism.

10. Additional information

Maximum arrest distance according to the ANSI Z359.15 standard: 11 ft (3.35 m).

- You must have a rescue plan and the means to rapidly implement it in case of difficulties encountered while using this equipment.

- The anchor point for the system should preferably be located above the user's position and should meet the requirements of the EN 795 standard (12 kN minimum strength).

- In a fall arrest system, it is essential to check the required clearance below the user before each use, in order to avoid hitting the ground or an obstacle in case of a fall.

- Make sure that the anchor point is correctly positioned, in order to reduce the pendulum risk and the fall distance.

- A fall arrest harness is the only device allowable for supporting the body in a fall arrest system.

- When using multiple items of equipment, a dangerous situation can arise in which the safety function of an item of equipment can be affected by the safety function of another item of equipment.

- **WARNING - DANGER:** ensure that your products do not rub against abrasive or sharp surfaces.

- Users must be medically fit for activities at height. **WARNING:** inert suspension in a harness can result in serious injury or death.

- The Instructions for Use for each item of equipment used in conjunction with this product must be followed.

- The Instructions for Use must be provided to the user of this equipment, in the language of the country where the equipment is used.

- Make sure the markings on the product are legible.

When to retire your equipment:

WARNING: an exceptional event can lead you to retire a product after only one use, depending on the type and intensity of usage and the environment of usage (harsh environments, marine environments, sharp edges, abrasive surfaces, machines in motion, electrical hazards, extreme temperatures, chemicals...).

A product must be retired when:

- It has been subjected to a major fall or load.
- It fails to pass inspection. You have any doubt as to its reliability.
- You do not know its full usage history.

- When it becomes obsolete due to changes in legislation, standards, technique or incompatibility with other equipment...

Destroy these products to prevent further use.

Icons:

A. Unlimited lifetime - B. Acceptable temperatures - C. Usage precautions - D. Cleaning/disinfection - E. Drying - F. Storage/transport - G. Maintenance - H. Modifications/repairs (prohibited outside of Petzl facilities, except replacement parts) - I. Questions/contact

3-year guarantee

Against any material or manufacturing defect. Exclusions: normal wear and tear, oxidation, modifications or alterations, incorrect storage, poor maintenance, negligence, uses for which this product is not designed.

Warning symbols

1. Situation presenting an imminent risk of serious injury or death. 2. Exposure to a potential risk of accident or injury. 3. Important information on the functioning or performance of your product. 4. Equipment incompatibility.

Traceability and markings

a. Meets PPE regulatory requirements. Notified body performing the EU type examination
- b. Number of the notified body responsible for the production control of this PPE - c. Traceability: datamatrix - d. Rope compatibility - e. Serial number - f. Year of manufacture - g. Month of manufacture - h. Batch number - i. Individual identifier - j. Standards - k. Read the Instructions for Use carefully - l. Model identification - m. Nominal maximum load - n. ANSI/ASSE certification body

FR

Cette notice explique comment utiliser correctement votre équipement. Seuls certains usages et techniques sont présentés. Les panneaux d'alerte vous informent de certains dangers potentiels liés à l'utilisation de votre équipement, mais il est impossible de vous les décrire. Prenez connaissance des mises à jour et informations complémentaires sur Petzl.com. Vous êtes responsables de la prise en compte de chaque alerte et de l'utilisation correcte de votre équipement. Toute mauvaise utilisation de cet équipement sera à l'origine de dangers additionnels. Contactez Petzl si vous avez des doutes ou des difficultés de compréhension.

1. Champ d'application

Équipement de protection individuelle (EPI).

ASAP LOCK : antichute mobile sur corde avec fonction de blocage.

Ce produit ne doit pas être sollicité au-delà de ses limites ou dans toute autre situation que celle pour laquelle il est prévu.

Responsabilité

ATTENTION

Les activités impliquant l'utilisation de cet équipement sont par nature dangereuses.

Vous êtes responsable de vos actes, de vos décisions et de votre sécurité.

Avant d'utiliser cet équipement, vous devez :

- Lire et comprendre toutes les instructions d'utilisation.
- Vous former spécifiquement à l'utilisation de ce connecteur.
- Vous familiariser avec votre équipement, apprendre à connaître ses performances et ses limites.
- Comprendre et accepter les risques induits.

Le non-respect d'un seul de ces avertissements peut être la cause de blessures graves ou mortelles.

Ce produit ne doit être utilisé que par des personnes compétentes et avisées ou placées sous le contrôle visuel direct d'une personne compétente et avisée. Vous êtes responsable de vos actes, de vos décisions et de votre sécurité et en assumez les conséquences. Si vous n'êtes pas en mesure d'assumer cette responsabilité, ou si vous n'avez pas bien compris les instructions d'utilisation, n'utilisez pas cet équipement.

2. Nomenclature

(1) Corps, (2) Manille, (3) Vis, (4) Axe de connexion, (5) Entretroise, (6) Taquets, (7) Bras, (8) Axe du bras, (9) Galet bloqueur, (10) Bouton de blocage, (11) STRING.

Matériaux principaux : alliage d'aluminium (corps, bras), acier inoxydable (galet, manille), polyester, polyamide (cordes).

3. Contrôle, points à vérifier

Votre sécurité est liée à l'intégrité de votre équipement.

Petzl conseille une vérification approfondie, par une personne compétente, au minimum tous les 12 mois (en fonction de la réglementation en vigueur dans votre pays et de vos conditions d'utilisation). Attention, l'intensité de votre usage peut vous amener à vérifier plus fréquemment votre EPI. Respectez les modes opératoires décrits sur Petzl.com. Enregistrez les résultats sur la fiche de vie de votre EPI : type, modèle, coordonnées du fabricant, numéro de série ou numéro individuel, dates : fabrication, achat, première utilisation, prochains examens périodiques, défauts, remarques, nom et signature du contrôleur.

Avant toute utilisation

ASAP LOCK : vérifiez la bonne installation de l'absorbeur sur la manille et le serrage de la vis. Vérifiez l'absence de fissures, marques, déformations, usures, corrosion (sur corps, galet, bras, manille).

Vérifiez l'état des taquets et l'efficacité de leur ressort de rappel. Vérifiez le pivotement du bras autour de l'axe et l'efficacité du ressort de rappel. Vérifiez la propreté du galet et l'usure des dents. Attention, si une ou plusieurs dents manquent, n'utilisez plus l'ASAP LOCK.

Si les dents sont encrassées, consultez le paragraphe Nettoyage, entretien. Vérifiez que la rotation du galet se fait sans à-coup, sur un tour complet dans les deux sens.

Cordes : vérifiez l'état de la corde selon les indications du fabricant. La corde doit être reformée si elle a entraîné une chute, si l'âme semble déformée, ou si la gaine est abîmée ou tachée.

Pendant l'utilisation

Il est important de contrôler régulièrement l'état du produit et de ses connexions avec les autres équipements du système. Assurez-vous du bon positionnement des équipements les uns par rapport aux autres.

Attention aux objets étrangers pouvant entraver l'appui du galet bloqueur sur la corde et sa rotation. Protégez votre ASAP LOCK des projections lors du travail (peinture, ciment...). Assurez-vous que le galet bloqueur est toujours engagé sur la corde.

4. Compatibilité

Vérifiez la compatibilité de ce produit avec les autres éléments du système dans votre application (compatibilité = bonne interaction fonctionnelle).

Harnais :

Connectez l'absorbeur d'énergie de votre ASAP LOCK au point d'attache d'antichute de votre harnais.

Longe absorbeur d'énergie :

Utilisez l'ASAP LOCK uniquement avec les absorbeurs d'énergie Petzl compatibles, certifiés selon la norme ANSI Z359.13 :

- ASAP SORBBER 20 et 40 version 2019 et suivantes.
- ASAP SORBBER AXESS.

L'absorbeur d'énergie ne doit pas être rallongé (au maximum un connecteur (longueur 12 cm maximum) à chaque extrémité).

Corde :

Utilisez l'ASAP LOCK avec la corde RAY 11-12 mm.

5. Principe de fonctionnement

À vitesse modérée, le galet bloqueur tourne librement dans les deux sens. Lors d'un mouvement rapide vers le bas, la rotation du galet bloqueur est stoppée, la corde est bloquée par pincement entre le galet et le corps.

6. Mise en place et test de fonctionnement de l'ASAP

Préparation :

Utilisez uniquement la vis d'origine de votre ASAP LOCK. Appliquez du frein-fret sur votre vis avant le montage.

Installez l'absorbeur d'énergie et refermez la manille. Serrez, vérifiez le bon positionnement de

l'axe et le serrage de la vis.

Connexion au harnais :

Utilisez uniquement le connecteur OXAN TRACT-LOCK version internationale avec la barrette CAPTIV.

Installation : ouvrez les taquets pour positionner la corde dans le corps, refermez les taquets pour engager le galet bloqueur sur la corde.

Attention, l'ASAP LOCK est directionnel : il bloque dans un seul sens. Danger de mort si l'ASAP LOCK est positionné à l'envers sur la corde.

Effectuez un test de fonctionnement à chaque installation.

Débloquez : après le test de fonctionnement, débloquez le galet pour un coulisement normal sur la corde.

Fonction de blocage : utilisez le bouton de blocage du galet pour empêcher le coulisement de l'ASAP LOCK sur la corde vers le bas. Attention, en cas de suspension accidentelle sur l'ASAP LOCK bloqué, le déblocage ne peut pas se faire sous charge.

7. Précautions d'utilisation

Possibilité de réaliser une butée d'arrêt en réalisant un nœud sur la corde.

Contrôlez régulièrement le bon coulisement de la corde dans l'ASAP LOCK lors de votre progression pour vous assurer de ne pas créer une boucle de mou qui pourrait augmenter la hauteur de chute potentielle. Hauteur de chute maximum autorisée : deux fois la longueur de l'absorbeur d'énergie (connecteurs inclus).

L'antichute mobile ne doit pas être connectée à plus d'une corde. L'antichute mobile ne doit pas être connectée à plus d'un utilisateur.

Charge utile de 130 lbs (58 kg) à 310 lbs (140 kg).

N'utilisez pas l'antichute mobile lorsque vous vous trouvez sur une surface granuleuse ou liquide ou lorsque vous risquez de chuter à travers une telle surface.

Pour déplacer l'ASAP LOCK sur la corde, ne le tenez pas à pleine main, tirez-le à l'aide de l'absorbeur d'énergie.

Une surcharge dynamique peut endommager la corde. Si la corde de l'ASAP LOCK est chargée, l'utilisateur doit se munir d'un autre support de sécurité.

Utilisation sur plan incliné :

Attention, en cas de glissade à faible vitesse sur un toit peu raide, par exemple, l'ASAP peut ne pas se déclencher immédiatement. Veillez à réaliser un nœud d'arrêt sur la corde en cas de risque de heurter un obstacle.

8. Tirant d'air

Votre position par rapport à l'antichute mobile détermine la hauteur de chute potentielle : si vous vous trouvez au-dessus de l'antichute mobile - sans boucle de mou sur la corde - votre hauteur de chute potentielle est de deux fois la longueur de l'absorbeur d'énergie (connecteurs inclus).

Le tirant d'air est la hauteur libre minimale, sous l'utilisateur, pour ne pas heurter d'obstacle en cas de chute.

Le tirant d'air prend en compte :

- La hauteur de chute.
- La distance d'arrêt de l'ASAP LOCK.
- La longueur de déchaînement de l'absorbeur d'énergie.
- La taille moyenne de l'utilisateur.
- Une marge de sûreté de 1 m.
- L'élasticité de la corde (E) varie selon la situation et doit être ajoutée à votre calcul de tirant d'air.

Pour plus d'informations, consultez les conseils techniques ASAP LOCK sur Petzl.com.

Les valeurs présentées sont basées sur des estimations théoriques et des tests de chute de masse rigide.

Dans un système d'arrêt des chutes, tenez compte de la longueur des connecteurs qui influent sur la hauteur de chute.

9. Nettoyage, entretien

Évitez toute introduction de liquide dans le mécanisme du galet bloqueur.

Pour le nettoyage des dents du galet, l'utilisation de solvant n'est pas recommandée, mais est possible appliqué avec précautions, au pinceau, pour éviter les coulures dans le mécanisme.

10. Informations complémentaires

Distance d'arrêt maximum selon la norme ANSI Z359.15 : 11 ft (3,35 m).

- Prévoyez les moyens de secours nécessaires pour intervenir rapidement en cas de difficultés.

- L'amarrage du système doit être de préférence situé au-dessus de la position de l'utilisateur et répondre aux exigences EN 795 (résistance minimum 12 kN).

- Dans un système d'arrêt des chutes, il est essentiel de vérifier l'espace libre requis sous l'utilisateur, avant chaque utilisation, afin d'éviter toute collision avec le sol, ou un obstacle, en cas de chute.

- Veillez à ce que le point d'amarrage soit correctement positionné, afin de limiter le risque de pendule et la hauteur de chute.

- Un harnais d'antichute est le seul dispositif de préhension du corps qui'il soit permis d'utiliser dans un système d'arrêt des chutes.

- Un danger peut survenir lors de l'utilisation de plusieurs équipements dans laquelle la fonction de sécurité de l'un des équipements peut être affectée par la fonction de sécurité d'un autre équipement.

- ATTENTION DANGER, veillez à ce que vos produits ne frottent pas sur des matériaux abrasifs ou pièces coupantes.

- Les utilisateurs doivent être médicalement aptes aux activités en hauteur. ATTENTION, être suspendu et inerte dans un harnais peut déclencher des troubles physiologiques graves ou la mort.

- Les instructions d'utilisation définies dans les notices de chaque équipement associé à ce produit doivent être respectées.

- Les instructions d'utilisation doivent être fournies à l'utilisateur de cet équipement dans la langue du pays d'utilisation.

- Assurez-vous de la lisibilité des marquages sur le produit.

Mise au rebut :

ATTENTION, un événement exceptionnel peut vous conduire à rebuter un produit après une seule utilisation (type et intensité d'utilisation, environnements d'utilisation : milieux agressifs, milieux marins, arêtes coupantes, surfaces abrasives, machines en mouvement, risques électriques, températures extrêmes, produits chimiques...).

Un produit doit être rebuté quand :

- Il a subi une chute ou un effort important.
- Le résultat des vérifications du produit n'est pas satisfaisant. Vous avez un doute sur sa fiabilité.
- Vous ne connaissez pas son historique complet d'utilisation.
- Quand son usage est obsolète (évolution législative, normative, technique ou incompatibilité avec d'autres équipements...).

Détruisez ces produits pour éviter une future utilisation.

Pictogrammes :

A. Durée de vie illimitée - B. Températures tolérées - C. Précautions d'usage - D. Nettoyage/désinfection - E. Séchage - F. Stockage/transport - G. Entretien - H. Modifications/réparations (interdites hors des ateliers Petzl, sauf pièces de rechange) - I. Questions/contact

Garantie 3 ans

Contre tout défaut de matière ou fabrication. Sont exclus : usure normale, oxydation, modifications ou retouches, mauvais stockage, mauvais entretien, négligences, utilisations pour lesquelles ce produit n'avait pas destiné.

Panneaux d'alerte

1. Situation présentant un risque imminent de blessure grave ou mortelle. 2. Exposition à un risque potentiel d'incident ou de blessure. 3. Information importante sur le fonctionnement ou les performances de votre produit. 4. Incompatibilité matérielle.

Traquabilité et marquage

a. Conforme aux exigences du règlement EPI. Organisme notifié pour l'examen UE de type

- b. Numéro de l'organisme notifié pour le contrôle de production de cet EPI - c. Traquabilité : datamatrix - d. Compatibilité cordes - e. Numéro individuel - f. Année de fabrication - g. Mois de fabrication - h. Numéro de lot - i. Identifiant individuel - j. Normes - k. Lire attentivement la notice technique - l. Identification du modèle - n. Charge nominale maximum - n. Organisme de certification ANSI/ASSE

DE

In dieser Gebrauchsanweisung wird erklärt, wie Sie Ihr Produkt richtig verwenden. Es werden nur einige der Verwendungen und Techniken dargestellt. Die Warnhinweise informieren Sie über mögliche Gefahren bezüglich der Verwendung Ihres Produkts. Es ist jedoch nicht möglich, alle erwägbaren Fälle zu beschreiben. Bitte nehmen Sie Kenntnis von den Aktualisierungen und zusätzlichen Informationen auf Petzl.com. Sie sind für die Beschützung der Warnhinweise und für die sachgemäße Verwendung Ihres Produkts verantwortlich. Jede fehlerhafte Verwendung des Produkts bedeutet eine zusätzliche Gefahrenquelle. Wenn Sie Zweifel haben oder etwas nicht richtig verstehen, wenden Sie sich bitte an Petzl.

1. Anwendungsbereich

Persönliche Schutzausrüstung (PSA).

ASAP LOCK: Am Seil mitlaufendes Auffanggerät mit Blockierfunktion.

Dieses Produkt darf nur über seine Grenzen hinaus belastet werden. Es darf ausschließlich zu dem Zweck verwendet werden, für den es entwickelt wurde.

Haftung

WARNUNG

Aktivitäten, bei denen diese Ausrüstung zum Einsatz kommt, sind naturgemäß gefährlich.

Für Ihre Handlungen, Entscheidungen und für Ihre Sicherheit sind Sie selbst verantwortlich.

Vor dem Gebrauch dieser Ausrüstung müssen Sie:

- Die Gebrauchsanleitung vollständig lesen und verstehen.
- Die Ausrüstung auf den Zustand der Ausrüstung ausgebildet sein.
- Sich mit Ihrer Ausrüstung vertraut machen, die Möglichkeiten und Grenzen kennen lernen.
- Die mit dem Einsatz verbundenen Risiken verstehen und akzeptieren.

Die Nichtberücksichtigung auch nur einer dieser Warnungen kann zu schweren Verletzungen oder sogar Tod führen.

Dieses Produkt darf nur von kompetenten und besonnenen Personen verwendet werden oder von Personen, die unter der direkten Aufsicht und visuellen Kontrolle einer kompetenten und besonnenen Person stehen.

Sie sind für Ihre Handlungen, Entscheidungen und für Ihre Sicherheit verantwortlich und tragen die Konsequenzen. Wenn Sie nicht in der Lage sind, diese Verantwortung zu übernehmen, oder wenn Sie die Gebrauchsanweisung nicht richtig verstanden haben, benutzen Sie diese Ausrüstung nicht.

2. Benennung der Teile

(1) Körper, (2) Verbindungsbügel, (3) Schraube, (4) Befestigungsbolzen, (5) Abstandshalter, (6) Sicherheitsperle, (7) Gelenkarm, (8) Achse des Gelenkarms, (9) Sperrrad, (10) Knopf zum Aktivieren der Blockierfunktion, (11) STRING.
Materialien: Aluminiumlegierung (Körper, Gelenkarm), rostfreier Stahl (Sperrrad, Verbindungsbügel), Polyester, Polyamid (Seile).

3. Überprüfung, zu kontrollierende Punkte

Ihre Sicherheit hängt vom Zustand Ihrer Ausrüstung ab.

Die folgenden 12 Monate sind die maximale Lebensdauer des Produkts. Nach Ablauf dieser Fristen und den Nutzungsbedingungen) eine eingehende Überprüfung durch eine kompetente Person durchführen zu lassen. Achtung: Abhängig von der Gebrauchsanweisung muss Ihre PSA gegebenenfalls häufiger überprüft werden. Bitte beachten Sie die auf Petzl.com beschriebenen Vorgehensweisen. Fragen Sie die Ergebnisse in den Prüfbericht Ihrer PSA ein. Typ, Modell, Kontaktinformationen des Herstellers, Seriennummer oder individuelle Nummer, Daten: Herstellung, Kauf, erste Anwendung, nächste regelmäßige Überprüfung, Probleme, Bemerkungen, Name und Unterschrift des Prüfers.

Vor jedem Einsatz

ASAP LOCK: Vergewissern Sie sich, dass der Falldämpfer ordnungsgemäß am Verbindungsbügel befestigt ist und die Schraube fest angezogen ist.

Stellen Sie sicher, dass Körper, Sperrrad, Gelenkarm und Verbindungsbügel keine Risse, Kratzer, Deformationen, Abnutzungen und Korrosionserscheinungen aufweisen. Überprüfen Sie den Zustand der Sicherheitsperlen und vergewissern Sie sich, dass die Rückholfeder einwandfrei funktioniert.

Vergewissern Sie sich, dass sich der Gelenkarm um die Achse dreht und prüfen Sie, ob die Rückholfeder einwandfrei funktioniert. Vergewissern Sie sich, dass das Sperrrad sauber ist und die Perle nicht abgenutzt sind. Achtung, bei Fehlen eines oder mehrerer Zähne darf das ASAP LOCK nicht mehr benutzt werden.

Bei Verschmutzung der Zähne siehe Abschnitt Reinigung, Wartung. Kontrollieren Sie, ob sich das Sperrrad in beide Richtungen drehen lässt, ohne zu schliefen.

Seil: Kontrollieren Sie den Zustand des Seils entsprechend den Angaben des Herstellers. Das Seil muss ausgetauscht werden, nachdem ein Sturz aufgefangen hat, wenn der Kern deformiert zu sein scheint oder wenn der Mantel beschädigt ist oder Flecken aufweist.

Während des Gebrauchs

Es ist unerlässlich, den Zustand des Produkts und seiner Verbindungen mit anderen Ausrüstungsgegenständen im System regelmäßig zu überprüfen. Stellen Sie stets sicher, dass die einzelnen Ausrüstungsgegenstände im System richtig zueinander positioniert sind. Achten Sie auf Fremdkörper, die den Druck des Sperrrads auf das Seil und seine Drehung behindern können. Schützen Sie beim Arbeiten das ASAP LOCK vor Spritzern (Farbe, Zement usw.). Vergewissern Sie sich, dass das Sperrrad gegen das Seil drückt.

4. Kompatibilität

Überprüfen Sie die Kompatibilität dieses Produkts mit den anderen Elementen Ihres Systems (Kompatibilität = funktionelles Zusammenspiel).

Gurt:

Befestigen Sie den Falldämpfer Ihres ASAP LOCK an der Aufhängeöse Ihres Auffanggurts.

Verbindungsmittel mit Falldämpfer:

Verwenden Sie das ASAP LOCK ausschließlich mit den nach der Norm ANSI Z359.13 zertifizierten kompatiblen Falldämpfern von Petzl:

- ASAP SORBBER 20 und 40 Version 2019 und spätere Versionen.

- ASAP SORBBER AXESS.

Der Falldämpfer darf nicht verlängert werden (maximal ein Verbindungselement von max. 12 cm Länge an jedem Ende).

Seil:

Verwenden Sie das ASAP LOCK mit dem RAY 11-12 mm-Seil.

5. Funktionsprinzip

Mit geringer Geschwindigkeit kann sich das Sperrrad ungehindert in beide Richtungen drehen. Im Falle einer schnellen Abwärtsbewegung wird die Drehung des Sperrrads gestoppt und das Seil wird zwischen Sperrrad und Körper blockiert.

6. Installation und Funktionstest des ASAP

Vorbereitung:

Verwenden Sie ausschließlich die Originalschraube Ihres ASAP LOCK. Tragen Sie vor der Montage etwas Flüssigkeit auf das Gewinde auf.
Installieren Sie den Falldämpfer und schließen Sie dann den Bügel. Ziehen Sie die Schraube an, kontrollieren Sie die richtige Positionierung des Verbindungsbolzens und den festen Sitz der Schraube.

Befestigung am Gurt:

Verwenden Sie ausschließlich das Verbindungselement OXAN TRIACT-LOCK (internationale Ausführung) mit dem CAPTIV-Positionierungsbügel.

Installation: Öffnen Sie die Sicherheitsperlen, um das Seil in den Körper des Geräts einzulegen und schließen Sie dann die Sicherheitsperlen, so dass das Sperrrad gegen das Seil drückt.

Achtung: Das ASAP LOCK ist ein richtungsabhängiges Gerät und blockiert nur in eine Richtung. Lebensgefühl: Installieren Sie das ASAP LOCK niemals verkehrt herum am Seil.

Machen Sie bei jeder Installation einen Funktionstest.

Entriegelung: Entriegeln Sie nach dem Funktionstest das Sperrrad, so dass es sich normal am Seil dreht.

Blockierfunktion: Benutzen Sie den Knopf zum Aktivieren der Blockierfunktion, um zu verhindern, dass das ASAP LOCK am Seil nach unten rutscht. Achtung, wenn der Anwender nach einem Sturz am blockierten ASAP LOCK hängt, kann das belastete Gerät nicht entspert werden.

7. Vorsichtsmaßnahmen

Das Seil kann mit einem Bremsknoten zum Stoppen des Geräts versehen werden. Kontrollieren Sie während der Fortbewegung regelmäßig, ob das Seil ungehindert durch das ASAP LOCK läuft, um sicherzugehen, dass sich kein Schlappseil bildet, da sich hierdurch die mögliche Sturzhöhe vergrößern würde. Maximal zulässige Sturzhöhe: die zweifache Länge des Falldämpfers (einschließlich Verbindungselemente).

Die Befestigung des Auffanggeräts darf nur mit einem Seil verbunden sein.

Das mitlaufende Auffanggerät darf nur mit einem Anwender verbunden sein.

Gebrauchslast: 130 lbs (58 kg) bis 310 lbs (140 kg).

Benutzen Sie das mitlaufende Auffanggerät nicht, wenn Sie sich auf einer körnigen oder flüssigen Fläche befinden oder wenn das Risiko besteht, dass Sie in eine solche Fläche stürzen.

Um das ASAP LOCK am Seil zu verschleiben, umfassen Sie es nicht mit der ganzen Hand, sondern ziehen Sie es mithilfe des Falldämpfers.
Eine dynamische Überlast kann das Seil beschädigen. Wenn das Seil des ASAP LOCK belastet ist, muss der Anwender ein anderes Sicherheitssseil benutzen.

Einsatz an schrägen Flächen:

Achtung: Wenn der Anwender nur langsam nach unten rutscht, z.B. an einem Dach mit geringer Neigung, kann es passieren, dass das ASAP nicht sofort blockiert. Denken Sie daran, das Seil mit einem Bremsknoten zu versehen, wenn das Risiko besteht, dass der Anwender auf ein Hindernis aufschlägt.

8. Mindestens erforderlicher Sturzraum

Die potenzielle Sturzhöhe wird durch Ihre Positionierung zum mitlaufenden Auffanggerät bestimmt: Wenn Sie sich - ohne Schlappseil - oberhalb des mitlaufenden Auffanggeräts befinden, entspricht die potenzielle Sturzhöhe der zweifachen Länge des Falldämpfers (Verbindungselemente eingeschlossen).

Der Sturzraum ist die minimale Strecke unterhalb des Anwenders, damit er während des Sturzes auf kein Hindernis aufschlagen kann.

Beim Sturzraum werden folgende Faktoren berücksichtigt:

- die Sturzhöhe
 - die Aufhangstrecke des ASAP LOCK
 - die Aufreißlänge des Falldämpfers
 - die durchschnittliche Größe des Anwenders
 - eine Sicherheitsreserve von 1 m
 - die Seildrehung (E) variiert entsprechend der Situation und muss bei der Berechnung des Sturzraums berücksichtigt werden.
- Weitere Informationen finden Sie in den technischen Tipps zum ASAP LOCK auf Petzl.com. Die angegebenen Werte basieren auf theoretischen Schätzungen und mit einer starren Last durchgeführten Sturztests. Bei einem Auffangsystem muss die Länge der Verbindungselemente berücksichtigt werden, da diese die Sturzhöhe beeinflusst.

9. Reinigung, Wartung

Vermeiden Sie das Eindringen von Flüssigkeit in den Mechanismus des Sperrrads. Das Reinigen des Sperrrads mit einem Lösungsmittel wird nicht empfohlen. Dies ist jedoch möglich, wenn Sie die Zähne vorsichtig mit einem Pinsel säubern und darauf achten, dass kein Lösungsmittel in den Mechanismus läuft.

10. Zusätzliche Informationen

Maximale Aufhangstrecke gemäß der Norm ANSI Z359.15: 11 ft (3,35 m).

- Der Benutzer muss für eventuelle Schwierigkeiten, die während der Anwendung dieses Produkts auftreten können, Rettungsmöglichkeiten planen.
- Der Anschlagpunkt des Systems sollte vorzugsweise oberhalb der Position des Benutzers errichtet werden und sollte den Anforderungen der Norm EN 795 entsprechen. Die Mindestbruchlast des Anschlagpunktes muss 12 kN betragen.
- In einem Auffangsystem ist vor jeder Benutzung sicherzustellen, dass genügend Sturzraum vorhanden ist. Der Anwender vor dem Einsatz ist, so dass er im Falle eines Sturzes nicht auf den Boden oder auf ein Hindernis schlägt.
- Achten Sie darauf, dass der Anschlagpunkt richtig platziert ist, um das Penderisiko und die Sturzhöhe zu reduzieren.
- In einem Auffangsystem ist zum Halten des Körpers ausschließlich ein Auffanggurt zulässig. Die Verwendung mehrerer Ausrüstungsgegenstände zusammen verwendet, kann es zu gefährlichen Situationen kommen, wenn die Sicherheitsfunktion eines Gegenstands durch einen anderen Ausrüstungsgegenstand behindert wird.
- ACHTUNG GEFAHR: Achten Sie darauf, dass die Produkte nicht an rauen Materialien oder scharfkantigen Gegenständen reiben.
- Die Gebrauchsanleitungen für jeden Ausrüstungsgegenstand, der zusammen mit diesem Produkt verwendet wird, müssen unbedingt gelesen werden.
- Die Gebrauchsanleitungen müssen allen Benutzern dieser Ausrüstung in Landessprache zur Verfügung gestellt werden.
- Vergewissern Sie sich, dass die Markierungen auf dem Produkt lesbar sind.

Aussondern von Ausrüstung:

ACHTUNG!, außergewöhnliche Umstände können die Aussonderung eines Produkts nach einer einmaligen Anwendung erforderlich machen (Art und Intensität der Benutzung, Anwendungsbereich: aggressive Umgebungen, Meeresklima, scharfe Kanten, rauh Oberflächen, laufende Maschinen, Stromschlaggefahr, extreme Temperaturen, Chemikalien usw.).

In folgenden Fällen muss ein Produkt ausgedonnert werden:

- Nach einem schweren Sturz (oder Belastung).
- Das Produkt fällt bei der PSA-Überprüfung durch. Sie bezweifeln seine Zuverlässigkeit.
- Die vollständige Gebrauchsgeschichte ist nicht bekannt.
- Das Produkt ist veraltet (Änderung der gesetzlichen Bestimmungen, der Normen oder der technischen Vorschriften, Inkompatibilität mit anderen Ausrüstungsgegenständen usw.).

Zerlegen und entsorgen Sie diese Produkte, um ihren weiteren Gebrauch zu verhindern.

Zeichenerklärungen:

A. Unbegrenzte Lebensdauer - B. Temperaturbeständigkeit - C. Vorsichtsmaßnahmen

D. Reinigung/Desinfektion - E. Trocknung - F. Lagerung/Transport - G. Pflege - H. Änderungen/Reparaturen (außerhalb der Petzl Betriebsstätten nicht zulässig, ausgenommen Ersatzteile) - **I. Fern/Kontakt**

3 Jahre Garantie

Auf Material- und Fabrikationsfehler. Von der Garantie ausgeschlossen sind: normale Abnutzung, Oxidation, Modifikationen oder Nachbesserungen, unsachgemäße Lagerung, unsachgemäße Wartung, Nachlässigkeiten und Anwendungen, für die das Produkt nicht bestimmt ist.

Warnhinweise

1. Unmittelbare Verletzungs- oder Lebensgefahr. 2. Potenzielles Unfall- oder Verletzungsrisiko. 3. Wichtige Informationen über die Leistungsangaben Ihres Produkts. 4. Inkompatibilität zwischen Ausrüstungsgegenständen.

Rückverfolgbarkeit und Markierung

a. Entspricht den Anforderungen der PSA-Verordnung. Benannte Stelle für die EU-Markierung. b. Nummer der zertifizierten Stelle für die Produktionskontrolle dieser PSA - c. Rückverfolgbarkeit: Data Matrix - d. Seilkompatibilität - e. Individuelle Nummer - f. Herstellungsmonat - g. Herstellungsmonat - h. Nummer der Fertigungsreihe - i. Individuelle Produktnummer - j. Normen - k. Lesen Sie die Gebrauchsanleitung aufmerksam durch - l. Modell-Identifizierung - m. Maximale Arbeitslast - n. ANS/ASSE Zertifizierungsstelle

IT

Questa nota informativa spiega come utilizzare correttamente il dispositivo. Sono alcune tecniche e utilizzi sono presentati. I segnali di attenzione vi informano di alcuni potenziali pericoli legati all'utilizzo del dispositivo, ma è impossibile descriverli tutti. Prendete visione degli aggiornamenti e delle informazioni supplementari sul sito Petzl.com. Voi siete responsabili della considerazione di ogni avviso e dell'utilizzo corretto del dispositivo. L'uso improprio di questo dispositivo causa rischi aggiuntivi. Contattare Petzl in caso di dubbi o difficoltà di comprensione.

1. Campo di applicazione

Dispositivo di protezione individuale (DPI).

ASAP LOCK: anticaduta di tipo guidato su corda con funzione di bloccaggio

Questo prodotto non deve essere sollecitato oltre i suoi limiti o in qualsiasi altra situazione differente da quella per cui è destinato.

Responsabilità

ATTENZIONE

Le attività che comportano l'utilizzo di questo dispositivo sono per natura pericolose.

Voi siete responsabili delle vostre azioni, delle vostre decisioni e della vostra sicurezza.

Prima di utilizzare questo dispositivo, occorre:

- Leggere e comprendere tutte le istruzioni d'uso.
- Ricevere una formazione adeguata sul suo utilizzo.
- Acquisire familiarità con il dispositivo, imparare a conoscerne le prestazioni e i limiti.
- Comprendere e accettare i rischi indotti.

Il mancato rispetto di una sola di queste avvertenze può essere la causa di ferite gravi o mortali.

Questo prodotto deve essere utilizzato esclusivamente da persone competenti e addestrate o sottoposte al controllo visivo diretto di una persona competente e addestrata.

Voi siete responsabili delle vostre azioni, delle vostre decisioni e della vostra sicurezza e ve ne assumete le conseguenze. Se non siete in grado di assumervi questa responsabilità, o se non avete compreso le istruzioni d'uso, non utilizzare questo dispositivo.

2. Nomenclatura

(1) Corpo, (2) Maniglia, (3) Vite, (4) Asse di collegamento, (5) Spessore, (6) Fermi di blocco e di bloccaggio, (7) Braccio, (8) Asse del braccio, (9) Rotella bloccante, (10) Pulsante di bloccaggio, (11) STRING.

Materiali principali: lega di alluminio (corpo, levetta), acciaio inossidabile (rotella, maniglia), poliestere, poliammide (corde).

3. Controllo, punti da verificare

La vostra sicurezza è legata all'integrità della vostra attrezzatura.

Petzl raccomanda un controllo approfondito come minimo ogni 12 mesi da parte di una persona competente (in funzione della normativa in vigore nel vostro paese e delle vostre condizioni d'uso). Attenzione, l'intensità di utilizzo può comportare un controllo più frequente del DPI. Rispettate le procedure descritte sul sito Petzl.com. Registrare i risultati nella scheda di controllo (vedi anche il tipo, modello, dati del fabbricante, numero di serie o numero individuale; data: fabbricazione, acquisto, primo utilizzo; successive verifiche periodiche; difetti; osservazioni; nome e firma del controllore).

Prima di ogni utilizzo

ASAP LOCK: verificare la corretta installazione dell'assorbitore sulla maniglia e il serraggio della vite.

Verificare l'assenza di fessurazioni, segni, deformazioni, usura, corrosione (su corpo, rotella, levetta, maniglia).

Verificare lo stato dei fermi e l'efficacia della loro molla di richiamo. Verificare la rotazione della levetta intorno all'asse e l'efficacia della molla di richiamo. Verificare la pulizia della rotella e l'usura dei denti. Attenzione, se uno o più denti mancano, non utilizzare più l'ASAP LOCK.

Se i denti sono sporchi, consultare il paragrafo Pulizia, manutenzione. Verificare che la rotella ruota liberamente senza contraccoppi, con un giro completo nei due sensi.

Corde: verificare lo stato della corda secondo le indicazioni del fabbricante. La corda deve essere scartata se ha arrestato una caduta, se l'anima appare deformata, o se la calza è rovinata o macchiata.

Durante l'utilizzo

È importante controllare regolarmente lo stato del prodotto e dei suoi collegamenti con gli altri dispositivi del sistema. Assicurarsi del corretto posizionamento dei dispositivi gli uni rispetto agli altri.

Attenzione ai corpi estranei che possono ostacolare l'appoggio della rotella bloccante sulla corda e la sua rotazione. Proteggere l'ASAP LOCK dalle proiezioni durante il lavoro (vernice, cemento...). Assicurarsi che la rotella bloccante sia sempre attiva sulla corda.

4. Compatibilità

Verificare la compatibilità di questo prodotto con gli altri elementi del sistema nella vostra applicazione (compatibilità = buona interazione funzionale).

Imbracatura:

Collegare l'assorbitore di energia dell'ASAP LOCK al punto di attacco anticaduta dell'imbracatura.

Cordino assorbitore di energia:

Utilizzare l'ASAP LOCK esclusivamente con gli assorbitori di energia Petzl compatibili, certificati secondo la norma ANSI Z359.13:

- ASAP SORBBER 20 e 40 versione 2019 e successive.
 - ASAP SORBBER AXESS.
- L'assorbitore di energia non deve essere prolungato (massimo un connettore (lunghezza max 12 cm) ad ogni estremità).

Corde:

Utilizzare l'ASAP LOCK con la corde RAY 11-12 mm.

5. Principio di funzionamento

A velocità moderata, la ruota bloccante gira liberamente nei due sensi. In caso di movimento rapido verso il basso, la rotazione della rotella bloccante si ferma, la corda viene bloccata stringendola tra la rotella e il corpo.

6. Installazione e test di funzionamento dell'ASAP

Preparazione:

Utilizzare esclusivamente la vite di serie dell'ASAP LOCK. Applicare una goccia di freno filetto sulle vite del montaggio.

Installare l'assorbitore di energia e richiudere la maniglia. Stringere, verificare il corretto posizionamento dell'asse e il serraggio della vite.

Collegamento all'imbracatura:

Utilizzare esclusivamente il connettore OXAN TRIACT-LOCK versione internazionale con la barettola CAPTIV.

Installazione: aprire i fermi per posizionare la corda nel corpo, richiudere i fermi per attivare la rotella bloccante sulla corda.

Attenzione, l'ASAP LOCK è direzionale, blocca in un solo senso. Pericolo di morte se l'ASAP LOCK è posizionato alla rovescia sulla corda.

Effettuare un test di funzionamento ad ogni utilizzo.

Stoccaggio: dopo i test di funzionamento, sbloccare la rotella per uno scorrimento normale sulla corda.

Funzione di bloccaggio: utilizzare il pulsante di bloccaggio della rotella per impedire lo scorrimento dell'ASAP LOCK sulla corda verso il basso. Attenzione, in caso di sospensione accidentale sull'ASAP LOCK bloccato, lo sbloccaggio non può avvenire sotto carico.

7. Precauzioni d'uso

Possibilità di realizzare un fermo di arresto realizzando un nodo sulla corda.

Controllare regolarmente il corretto scorrimento della corda nell'ASAP LOCK, durante la progressione, per assicurarsi che non si creino lacerazioni a cui da potrebbero aumentare l'altezza potenziale della caduta. Altezza di caduta massima autorizzata: due volte la lunghezza dell'assorbitore di energia (connettori inclusi).

L'anticaduta di tipo guidato non deve essere collegato a più di una corda.

L'anticaduta di tipo guidato non deve essere collegata a più di un utilizzatore.

Carico utile da 130 lbs (58 kg) a 310 lbs (140 kg).

Non utilizzare l'anticaduta di tipo guidato quando vi trovate su una superficie granulosa o quando il carico richiesto è superiore a quella su una tale superficie.

Per spostare l'ASAP LOCK sulla corda, non tenetelo completamente in mano, tiratelo con l'assorbitore di energia.

Un sovraccarico dinamico può danneggiare la corda. Se la corda dell'ASAP LOCK è sotto carico, l'utilizzatore deve munirsi di un altro supporto di sicurezza.

Utilizzo su piano inclinato:

Attenzione, in caso di scivolamento a bassa velocità su un tetto poco inclinato, per esempio, l'ASAP potrebbe non azionarsi immediatamente. Assicurarsi di realizzare un nodo di arresto sulla corda qualora vi sia il rischio di urtare un ostacolo.

8. Tirante d'aria

La tua posizione rispetto all'anticaduta di tipo guidato determina l'altezza potenziale della caduta: se ti trovi al di sopra dell'anticaduta di tipo guidato - senza lasso di corda sulla stessa - l'altezza potenziale della caduta è due volte la lunghezza dell'assorbitore di energia (connettori inclusi).

La tua posizione rispetto all'altezza libera minima sotto l'utilizzatore, affinché non urti ostacoli in caso di caduta.

Il tirante d'aria prende in considerazione:

- L'altezza della caduta.
- La distanza di arresto dell'ASAP LOCK.
- La lunghezza dell'assorbitore di energia dopo lacerazione.
- L'altezza media dell'utilizzatore.
- Un margine di sicurezza di 1 m.
- L'elasticità della corda (E) varia a seconda della situazione e deve essere aggiunta al calcolo del tirante d'aria.

Per maggiori informazioni consultare i consigli tecnici ASAP LOCK sul sito Petzl.com.

I valori presentati si basano su stime teoriche e test di caduta di massa rigida. In un sistema d'arresto caduta, tenere conto della lunghezza dei connettori che può influire sull'altezza di caduta.

9. Pulizia, manutenzione

Evitare l'introduzione di liquido nel meccanismo della rotella bloccante.

Per la pulizia dei denti della rotella, l'utilizzo di solventi non è consigliato, ma è possibile se applicato accuratamente con un pennello, per evitare sgocciolature nel meccanismo.

10. Informazioni supplementari

Massima distanza di arresto secondo la norma ANSI Z359.15: 11 ft (3,35 m).

- Prevedere i mezzi di soccorso necessari per intervenire rapidamente in caso di difficoltà.
- L'ancoraggio del sistema deve essere preferibilmente situato al di sopra della posizione dell'utilizzatore e deve rispettare i requisiti della norma EN 795 (resistenza minima 12 kN).
- In un sistema di arresto caduta, prima di ogni utilizzo, è fondamentale verificare lo spazio libero richiesto sotto l'utilizzatore, per evitare la collisione con il suolo o un ostacolo in caso di caduta.

- Assicurarsi che il punto di ancoraggio sia posizionato correttamente, per ridurre il rischio di pendolo e infortunio di caduta.

- Un'imbracatura anticaduta è l'unico dispositivo di presa del corpo che sia consentito utilizzare in un sistema di arresto caduta.

- Un pericolo può sopraggiungere al momento dell'utilizzo di più dispositivi in cui la funzione di sicurezza di uno dei dispositivi può essere compromessa dalla funzione di sicurezza di un altro dispositivo.

- ATTENZIONE PERICOLO, verificare che i prodotti non sfregino contro materiali abrasivi o parti taglienti.

- Gli utilizzatori devono avere l'idoneità sanitaria per le attività in quota. ATTENZIONE, la sospensione inerte nell'imbracatura può generare gravi disturbi fisiologici o la morte.

- Devono essere rispettate le istruzioni d'uso indicate nelle note informative di ogni dispositivo associato a questo prodotto.

- Le istruzioni d'uso di questo dispositivo devono essere fornite all'utilizzatore e redatte nella lingua del paese in cui il prodotto viene utilizzato.

- Assicurarsi che le marcature sul prodotto siano leggibili.

Eliminazione: ATTENZIONE, un evento eccezionale può comportare l'eliminazione del prodotto dopo un solo utilizzo (tipo ed intensità di utilizzo, ambiente di utilizzo: ambienti aggressivi, ambienti marini, parti taglienti, superfici abrasive, macchine in movimento, rischi elettrici, temperature estreme, prodotti chimici...).

Il prodotto deve essere eliminato quando:

- Ha subito una forte caduta (o sforzo).
- Il risultato dei controlli del prodotto non è soddisfacente. Si ha un dubbio sulla sua affidabilità.
- Non si conosce l'intera storia del suo utilizzo.
- Quando il suo utilizzo è obsoleto (evoluzione delle leggi, delle normative, delle tecniche o incompatibilità con altri dispositivi).

Distruzione i prodotti scartati per evitare un futuro utilizzo.

Pittogrammi:

A. Durata illimitata - B. Temperature tollerate - C. Precauzioni d'uso - D. Pulizia/ disinfezione - E. Assogatura - F. Stoccaggio/trasporto - G. Manutenzione - H.

Modifiche/riparazioni (proibite al di fuori degli stabilimenti Petzl salvo pezzi di ricambio) - **I. Domande/contatto**

Garanzia 3 anni

Contro ogni difetto di materiale o di fabbricazione. Sono esclusi: usura normale, ossidazione, modifiche o rilacchi, cattiva conservazione, manutenzione impropria, negligenze, utilizzi ai quali questo prodotto non è destinato.

Segnali di attenzione

1. Situazione che presenta un rischio imminente di lesione grave o mortale. 2. Esposizione a un rischio potenziale d'incidente o lesione. 3. Informazione importante sul funzionamento o le performance del vostro prodotto. 4. Incompatibilità materiale.

Tracciabilità e marcatura

ES

Este folleto explica cómo utilizar correctamente su equipo. Sólo se presentan algunas utilizations y técnicas. Las señales de advertencia le informan de algunos peligros potenciales relacionados con la utilización de su equipo, pero es imposible describirlos todos. Infórmese de las actualizaciones y de la información complementaria en Petzl.com. Usted es responsable de tener en cuenta cada una de las advertencias y de utilizar correctamente su equipo. Cualquier mala utilización de este equipo originará peligros adicionales. Contacte con Petzl si tiene dudas o dificultades de comprensión.

1. Campo de aplicación

Equipo de protección individual (EPI).

ASAP LOCK: anticaidas deslizante para cuerda con función de bloqueo.

Este producto no debe ser solicitado más allá de sus límites e en cualquier otra situación para la que no está previsto.

Responsabilidad

ATENCIÓN

Las actividades que implican la utilización de este equipo son por naturaleza peligrosas. Usted es responsable de sus actos, sus decisiones y su seguridad.

Antes de utilizar este equipo, debe:

- Leer y comprender todas las instrucciones de utilización.
- Formarse específicamente en el uso de este equipo.
- Familiarizarse con su equipo y aprender a conocer sus prestaciones y sus limitaciones.
- Comprender y aceptar los riesgos del equipo.

El no respeto de una sola de estas advertencias puede ser la causa de heridas graves o mortales.

Este producto sólo debe ser utilizado por personas competentes y responsables, o que estén bajo el control visual directo de una persona competente y responsable.

Usted es responsable de sus actos, sus decisiones y su seguridad y asume las consecuencias de los mismos. Si usted no está dispuesto a asumir esta responsabilidad o si no ha comprendido bien las instrucciones de utilización, no utilice este equipo.

2. Nomenclatura

(1) Cuerpo, (2) Manilla, (3) Tornillo, (4) Eje de conexión, (5) Casquillo, (6) Topes, (7) Brazo, (8) Eje del brazo, (9) Rueda bloqueadora, (10) Botón de bloqueo, (11) STRING.
Materiales principales: aleación de aluminio (cuerpo y brazo), acero inoxidable (rueda y manilla), poliéster, poliamida (cuerdas).

3. Control, puntos a verificar

Su seguridad está vinculada a la integridad de su equipo. Petzl aconseja que una persona competente realice una revisión en profundidad cada 12 meses como mínimo (en función de la legislación en vigor en su país y de las condiciones de utilización). Atención: la intensidad de su utilización le puede llevar a revisar su EPI con más frecuencia. Respete los modos operativos descritos en Petzl.com. Registre los resultados en la ficha de revisión del EPI: tipo, modelo, nombre y dirección del fabricante, número de serie o número individual, fechas: fabricación, compra, primera utilización, próximos controles periódicos, defectos, observaciones, nombre y firma del inspector.

Antes de cualquier utilización

ASAP LOCK: compruebe la correcta instalación del absorbedor en la manilla y el apriete del tornillo.

Compruebe la ausencia de fisuras, marcas, deformación, desgaste y corrosión (en el cuerpo, rueda, brazo y manilla).

Compruebe el estado de los topes y la eficacia de su muelle de retorno.

Compruebe que el brazo pivota alrededor del eje así como la eficacia del muelle de retorno. Compruebe la limpieza de la rueda y el desgaste de los dientes. Atención: si faltan uno o varios dientes, deje de utilizar el ASAP LOCK.

Si los dientes están sucios, consulte el apartado Mantenimiento y limpieza. Compruebe que, durante una vuelta completa en los dos sentidos, la rotación de la rueda se produce sin brusquedad.

Cuerda: compruebe el estado de la cuerda según las indicaciones del fabricante. La cuerda debe desdesharse si ha detenido una caída, si el alma parece deformada o si la funda está dañada o manchada.

Durante la utilización

Es importante controlar regularmente el estado del producto y de sus conexiones con los demás equipos del sistema. Asegúrese de la correcta colocación de los equipos entre sí.

Atención a los objetos extraños que puedan obstaculizar el apoyo de la rueda bloqueadora sobre la cuerda y su rotación. Proteja el ASAP LOCK de las salpicaduras durante el trabajo (pintura, cemento...). Asegúrese de que la rueda bloqueadora siempre esté en contacto con la cuerda.

4. Compatibilidad

Compruebe la compatibilidad de este producto con los demás elementos del sistema en su aplicación (compatibilidad = interacción funcional correcta).

Arnés:

Conecte el absorbedor de energía del ASAP LOCK al punto de enganche anticaídas del arnés.

Elemento de amarre absorbedor de energía:

Utilice el ASAP LOCK únicamente con los absorbedores de energía Petzl compatibles, según la norma ANSI Z359.13:
- ASAP/SORBER 20 y 40 versión 2019 y posteriores.
- ASAP/SORBER AXESS.

El absorbedor de energía no debe ser alargado (máximo un conector de 12 cm de longitud máxima en cada extremo).

Cuerda:

Utilice el ASAP LOCK con la cuerda RAY 11-12 mm.

5. Principio de funcionamiento

A velocidad moderada, la rueda bloqueadora gira libremente en los dos sentidos. Debido a un movimiento rápido hacia abajo, la rotación de la rueda bloqueadora se detiene, y la cuerda queda bloqueada por pñanzamiento entre la rueda y el cuerpo.

6. Colocación y prueba de funcionamiento del ASAP

Preparación:

Utilice únicamente el tornillo de origen del ASAP LOCK. Aplique fijatornillos en el tornillo antes del montaje.

Instale el absorbedor de energía y cierre de nuevo la manilla. Apriete y compruebe la correcta colocación del eje y el apriete del tornillo.

Conexión al arnés:

Utilice únicamente el conector OXAN TRIACT-LOCK versión internacional con la barra CAPTIV.
Instalación: abra los topes para posicionar la cuerda en el cuerpo, vuelva a cerrar los topes para que la rueda bloqueadora contacte con la cuerda.

Atención: el ASAP LOCK es direccional: bloquesa en un sólo sentido. Peligro de muerte si el ASAP LOCK está colocado al revés en la cuerda.

Efectúe una prueba de funcionamiento cada vez que lo instale.

Desbloqueo: después de la prueba de funcionamiento, desbloquee la rueda mediante un deslizamiento normal por la cuerda.

Función de bloqueo: utilice el botón de bloqueo de la rueda para impedir que el ASAP LOCK descienda por la cuerda. Atención: en caso de suspensión accidental sobre el ASAP LOCK bloqueado, el desbloqueo no puede realizarse bajo carga.

7. Precauciones de utilización

Posibilidad de realizar un tope de detención realizando un nudo en la cuerda.

Compruebe regularmente la correcta circulación de la cuerda en el ASAP LOCK, durante su progresión, para asegurarse de no crear una comba en la cuerda que podría aumentar la altura de la caída potencial. Altura de la caída máxima autorizada: el doble de la longitud del absorbedor de energía (conectores incluidos).

El anticaidas deslizante no debe estar conectado a más de una cuerda.

El anticaidas deslizante no debe estar conectado a más de un usuario.

No utilice el anticaidas deslizante cuando se encuentre en una superficie granulada o líquida o cuando corra el riesgo de caer por una superficie de este tipo. Para desplazar el ASAP LOCK por la cuerda, no lo sujete con toda la mano, tire de él con la ayuda del absorbedor de energía.

Una sobrecarga dinámica puede deteriorar la cuerda. Si la cuerda del ASAP LOCK está cargada, el usuario debe proveerse de otro soporte de seguridad.

Utilización en plano inclinado:

Atención, en caso de resbalón con poca velocidad en una cubierta con poca pendiente, por ejemplo, el ASAP puede no activarse inmediatamente. Asegúrese de realizar un nudo de detención en la cuerda en caso de riesgo de golpear contra un objeto.

8. Altura libre

Su posición respecto al anticaidas deslizante determina la altura de la caída potencial: si se encuentra por encima del anticaidas deslizante -sin comba en la cuerda- la altura de su caída potencial es el doble de la longitud del absorbedor de energía (conectores incluidos). La altura libre es la altura de seguridad mínima requerida por debajo del usuario para que no choque contra un obstáculo en caso de caída.

La altura libre tiene en cuenta:

- La altura de la caída.
- La distancia de parada del ASAP LOCK.
- La longitud de desgarr del absorbedor de energía.
- La altura media del usuario.

- Un margen de seguridad de 1 m.

La elasticidad de la cuerda (E) varía según la situación y debe ser ahñada al cálculo de la altura libre.

Para más información, consulte los consejos técnicos ASAP LOCK en Petzl.com.

Los valores presentados se basan en estimaciones técnicas y en los ensayos de caída de una misma rigida.

En un sistema anticaídas, debe tener en cuenta la longitud de los conectores, ya que influye en la altura de la caída.

9. Mantenimiento y limpieza

Evite cualquier introducción de líquido en el mecanismo de la rueda bloqueadora.

Para la limpieza de los dientes de la rueda, no se recomienda utilizar disolvente, pero se puede aplicar con precaución, con un pincel, para evitar filtraciones en el mecanismo.

10. Información complementaria

Distancia de detención máxima según la norma ANSI Z359.15: 11 ft (3,35 m).

- Debe prevenir los medios de rescate necesarios para intervenir rápidamente en caso de dificultades.

- El anclaje del sistema tiene que estar situado, preferentemente, por encima de la posición del usuario y debe cumplir con las exigencias de la norma EN 795 (resistencia mínima 12 kN).
- En un sistema anticaídas y antes de cualquier utilización, es esencial comprobar la altura libre requerida por debajo del usuario para evitar cualquier colisión con el suelo o con un obstáculo en caso de caída.
- Asegúrese de que el punto de anclaje esté colocado correctamente para así limitar el riesgo de péndulo y la altura de la caída.
- Un arnés anticaídas es el único dispositivo de presión del cuerpo que está permitido utilizar en un sistema anticaídas.

- Un peligro puede sobrevenir cuando se utilizan varios equipos en los que la función de seguridad de uno de los equipos puede verse afectada por la función de seguridad de otro equipo.
- ATENCIÓN PELIGRO: procure que sus productos no rocen con materiales abrasivos o piezas cortantes.

- Los usuarios deben ser aptos desde el punto de vista médico para las actividades en altura.
ATENCIÓN: estar suspendido e inerte en un arnés puede provocar problemas fisiológicos graves o la muerte.

- Deben ser respetadas las instrucciones de utilización definidas en las fichas técnicas de cada equipo asociado a este producto.

- Las instrucciones de utilización deben entregarse al usuario de este equipo en el idioma del país de utilización.
- Asegúrese de la legibilidad de los marcados en el producto.

Dar de baja:

ATENCIÓN: un suceso excepcional puede llevarle a dar de baja un producto después de una mala utilización (tipo e intensidad de utilización, entorno de utilización: ambientes agresivos, ambientes marinos, aristas cortantes, superficies abrasivas, máquinas en movimiento, riesgos eléctricos, temperaturas extremas, productos químicos...).
Un producto debe darse de baja cuando:

- Ha sufrido una caída importante (o esfuerzo).
- El resultado de las revisiones del producto no es satisfactorio. Duda de su fiabilidad.
- No conoce el historial completo de utilización.
- Cuando su utilización es obsoleta (evolución legislativa, normativa, técnica o incompatibilidad con otros equipos, etc.).

Destruya estos productos para evitar una utilización futura.

Pictogramas:

A. Vida útil limitada - B. Temperaturas toleradas - C. Precauciones de utilización - D. Limpieza/desinfección - E. Secado - F. Almacenamiento/transporte - G. Mantenimiento - H. Modificaciones/repares (prohibidas fuera de los talleres de Petzl, excepto las piezas de reparación) - **I. Preguntas/contacto**

Garantía 3 años

Contra cualquier defecto del material o de fabricación. Se excluye: el desgaste normal, la oxidación, las modificaciones o retoques, el almacenamiento incorrecto, el mantenimiento incorrecto, las negligencias y las utilizaciones para las que este producto no está destinado.

Señales de advertencia

1. Situación que presenta un riesgo inminente de herida grave a mortal. 2. Exposición a un riesgo potencial de incidente o de herida. 3. Información importante sobre el funcionamiento o las prestaciones de su producto. 4. Incompatibilidad material.

Trazabilidad y marcado

a. Conforme a los requisitos del Reglamento EPI. Organismo notificado que interviene en el examen UE de tipo - b. Número del organismo notificado para el control de la producción de este EPI - c. Trazabilidad: «datamatrix» - d. Compatibilidad de las cuerdas - e. Número individual - f. Año de fabricación - g. Mes de fabricación - h. Número de lote - i. Identificador individual - j. Normas - k. Lea atentamente la ficha técnica - l. Identificación del modelo - m. Carga nominal máxima - n. Organismo de certificación ANSIIASSE

PT

Este informativo explica como utilizar correctamente o seu equipamento. Somente algumas das utilizações e técnicas são apresentadas. Os avisos de alerta informam alguns perigos potenciais ligados à utilização do equipamento, porém é impossível descrevê-los todos. Tome conhecimento das últimas atualizações e informações complementares em Petzl.com. É responsável por tomar conhecimento de cada alerta e utilizar corretamente o seu equipamento. Qualquer má utilização deste equipamento pode originar perigos adicionais. Contacte a Petzl se tiver dúvidas ou dificuldades de compreensão.

1. Campo de aplicação

Equipamento de proteção individual (EPI).

ASAP LOCK: anticaidas móvel em corda com função de bloqueio.

Este produto não deve ser utilizado para além da sua capacidade ou em qualquer outra situação para a qual não tenha sido previsto.

Responsabilidade

ATENÇÃO

As actividades que implicam a utilização deste produto são por natureza perigosas. Você é responsável pelos seus actos, pelas suas decisões e pela sua segurança.

Antes de utilizar este equipamento, deve:

- Ler e compreender todas as instruções de utilização.
- Formar-se especificamente para a utilização deste equipamento.
- Familiarizar-se com o seu equipamento, aprender a conhecer as suas performances e as suas limitações.
- Compreender e aceitar os riscos inerentes.

O desprestio de um destes avisos poderá causar ferimentos graves ou mortais.

Este produto não deve ser utilizado senão por pessoas competentes e responsáveis, ou colocado sob o controle visual directo de uma pessoa competente e responsável. Você é responsável pelos seus actos, pelas suas decisões, pela sua segurança e assume as consequências. Se você não se sentir apto a assumir essa responsabilidade, ou se não entendeu bem as instruções de utilização, não utilize este equipamento.

2. Nomenclatura

(1) Corpo, (2) Manilha, (3) Parafuso, (4) Eixo de conexão, (5) Espaçador, (6) Patilhas de segurança, (7) Braço, (7) Braço, (8) Eixo do braço, (9) Tambor bloqueador, (10) Botão de bloqueio, (11) STRING.

Materiais principais: liga de alumínio (corpo, braço), aço inoxidável (tambor, manilha), poliéster (cordas).

3. Inspeções, pontos a verificar

A sua segurança está ligada à integridade do seu equipamento.

Atenção: a utilização intensa pode levá-lo a verificar com maior frequência o seu EPI. Respeite os modos de operação descritos em Petzl.com. Registre os resultados na ficha de inspeção do seu EPI: tipo, modelo, coordenadas do fabricante, número de série ou número individual, datas: de fabrico, aquisição, primeira utilização, próximas inspeções periódicas, defeitos, observações, nome e assinatura do controlador.

Antes de qualquer utilização

ASAP LOCK: certifique-se sobre a boa instalação do absorbedor na manilha e o fechamento do parafuso.

Verifique a ausência de fisuras, marcas, deformações, desgaste, corrosão (no corpo, braço e na manilha).

Verifique o estado da patilha de segurança e a eficácia da sua mola de retorno.

Verifique a rotação do braço em torno do eixo e a eficácia da mola de retorno. Verifique a limpeza do tambor e o desgaste dos dentes. Atenção, se um ou mais dentes estiverem ausentes, não utilize o ASAP LOCK.

Se os dentes estiverem sujos, consulte o parágrafo de Limpeza, manutenção. Verifique que a rotação do tambor se faz sem solavancos, numa volta completa nos dois sentidos.

Corda: verifique o estado da corda de acordo com as indicações do fabricante. A corda deve ser descartada se tiver sofrido uma queda, se a alma parecer deformada ou se a capa estiver danificada ou manchada.

Durante a utilização

É importante controlar regularmente o estado do produto e as suas conexões com outros equipamentos do sistema. Assegure-se do posicionamento correcto dos equipamentos e de uns em relação aos outros.

Cuidado com objetos estranhos que possam impedir o apoio do tambor bloqueador na corda e a sua rotação. Proteja o seu ASAP LOCK das salpicaduras de material durante o trabalho (tinta, cimento...). Assegure-se que o tambor bloqueador esteja sempre em contacto com a corda.

4. Compatibilidade

Verifique a compatibilidade deste produto com os outros elementos do sistema na sua aplicação (compatibilidade = boa interação funcional).

Arnés:

Conecte o absorbedor de energia do seu ASAP LOCK ao ponto de fixação anti quedas do seu arnés.

Longe absorbedora de energia:

Utilize o ASAP LOCK unicamente com os absorbedores de energia Petzl compatíveis, segundo a norma ANSI Z359.13:
- ASAP/SORBER 20 e 40 versão 2019 e posteriores.
- ASAP/SORBER AXESS.

O absorbedor de energia não deve ter uma extensão (no máximo um conector - comprimento máximo de 12 cm - em cada extremidade).

Corda:

Utilize o ASAP LOCK com a corda RAY 11-12 mm.

5. Principio de funcionamiento

A uma velocidade moderada, o tambor bloqueador gira livremente nos dois sentidos. Durante um movimento rápido para baixo, a rotação do tambor bloqueador é travada, a corda é bloqueada pelo entalamento entre o tambor e o corpo.

6. Montagem e teste de funcionamento do ASAP

Preparação:

Utilize unicamente o parafuso de origem do seu ASAP LOCK. Aplique cola trava-rosca no seu parafuso antes da montagem.
Instale o absorbedor de energia e volte a fechar a manilha. Aperte, verifique o bom posicionamento do eixo e do aperto do parafuso.

Conexão ao arnés:

Utilize unicamente o conector OXAN TRIACT-LOCK versão internacional com a barra CAPTIV.
Instalação: abra a patilha de segurança para posicionar a corda no corpo, volte a fechar a patilha de segurança para que o tambor bloqueador possa trabalhar sobre a corda.

Atenção, o ASAP LOCK é direccional, bloquia só num sentido. Perigo de morte se o ASAP LOCK for posicionado ao contrário na corda.

Efectue um teste de funcionamento em cada instalação.

Desbloqueo: após o teste de funcionamento, desbloquee o tambor para um deslizamento normal na corda.

Funcão de bloqueio: utilize o botão de bloqueio do tambor bloqueador para impedir o deslizamento do ASAP LOCK na corda para baixo. Atenção, em caso de suspensão accidental no ASAP LOCK bloqueado, o desbloqueamento não pode ser efectuado sob carga.

7. Precauções de utilização

Possibilidade de realizar um limitador de curso realizando um nó na corda.

Verifique regularmente o bom deslizamento da corda no ASAP LOCK, durante a sua progressão, para se assegurar que não cria uma folga na corda que poderia aumentar a altura da queda potencial. Altura de queda máxima autorizada: duas vezes o comprimento do absorbedor de energia (conectores incluídos).

O anticaidas móvel não deve ser conectado a mais do que uma corda.

O anticaidas móvel não deve ser conectado a mais do que um utilizador.

Carga útil de 58 kg (130 lbs) até 140 kg (310 lbs).

A zona livre desimpedida é a altura mínima sob o utilizador, para que não embata em nenhum obstáculo em caso de queda.

Para deslocar o ASAP LOCK na corda, não segure nele com a mão toda, puxe-o com o absorbedor de energia.

Uma sobrecarga dinâmica pode danificar a corda. Se a corda do ASAP LOCK estiver carregada, o utilizador deve munir-se doutro suporte de segurança.

Utilização num plano inclinado:

Atenção, se escorregar a frac velocidade num telhado pouco inclinado, por exemplo, o ASAP pode não activar imediatamente. Queira realizar um nó de travamento em caso de risco de bater num obstáculo.

8. Zona livre desimpedida

A sua posição relativamente ao anticaidas móvel determina a altura da queda potencial: se você se encontrar acima do anticaidas móvel - sem folga na corda - a sua altura da queda potencial é duas vezes o comprimento do absorbedor de energia (conectores incluídos).

A zona livre desimpedida é a altura mínima sob o utilizador, para que não embata em nenhum obstáculo em caso de queda.

A zona livre desimpedida de queda leva em conta:

- A altura da queda.

- A distância de travamento do ASAP LOCK.

- O comprimento do absorbedor de energia após deflagrada a ruptura.

- Uma altura média do utilizador.

- Uma margem de segurança de 1 m.

A elasticidade da corda (E) varia de acordo com a situação e deve ser adicionada no cálculo da zona livre desimpedida.

Para mais informação, consulte os conselhos técnicos ASAP LOCK em Petzl.com.

Os valores apresentados são baseados em estimativas técnicas e em testes de queda de peso rígido.

No sistema anticaidas, leve em conta o comprimento dos conectores que influencia a altura da queda.

9. Limpeza, manutenção

Evite qualquer introdução de líquido no mecanismo do tambor bloqueador.

Para a limpeza dos dentes do tambor, a utilização de solventes não é recomendada, mas é possível aplicar com precauções, com um pincel, para evitar que escorra para o mecanismo.

10. Informações complementares

Distância de travamento máximo de acordo com a norma ANSI Z359.15: 11 ft (3,35 m).

- Prever os meios de resgate necessários para intervir rapidamente em caso de dificuldades.
- A amarração do sistema deve estar de preferência situada acima da posição do utilizador e responder às exigências EN 795 (resistência mínima 12 kN).
- Num sistema anticaidas, é essencial verificar o espaço livre necessário sob o utilizador, antes de cada utilização, afim de evitar qualquer colisão no solo ou com um obstáculo, em caso de queda.

- Certifique-se que o ponto de ancoragem esteja correctamente posicionado, afim de limitar o risco e a altura de queda.

- Um arnés anticaidas é o único dispositivo que permite suportar o corpo num sistema anticaidas.

- Pode ocorrer uma situação perigosa quando se utilizam vários equipamentos em que a função de segurança de um dos equipamentos pode ser afectada pela função de segurança de outro equipamento.

- ATENÇÃO PERIGO: tome cuidado para que os produtos não sejam sujeitos a atritos com materiais abrasivos ou peças cortantes.

- Os utilizadores devem estar clinicamente aptos para as actividades em altura.
ATENÇÃO, estar suspenso e inerte num arnés pode desencadear perturbações fisiológicas graves ou a morte.

- As instruções de utilização definidas nos informativos de cada equipamento associado a este produto devem ser respeitadas.

- As instruções de utilização devem ser fornecidas ao utilizador deste equipamento na língua do país de utilização.

- Asegure-se da legibilidade das marcações no produto.

Quando descartar o seu equipamento:

ATENÇÃO, uma ocorrência excepcional pode levar ao descarte de um produto após uma única utilização (tipo e intensidade de utilização, ambiente de utilização: ambientes agressivos, ambientes marinhos, arestas cortantes, temperaturas extremas ou exposição à chama, produtos químicos...).
Um produto deve ser rejeitado quando:

- Foi sujeito a uma queda importante (ou esforço).
- O resultado das verificações do produto não é satisfatório. Se tiver uma dúvida sobre a sua fiabilidade.

- Não conhecer a história completa de utilização.
- Quando a sua utilização está obsoleta (evolução legislativa, normativa, técnica ou incompatibilidade com outros equipamentos...).
Destrua os produtos rejeitados para evitar uma futura utilização.

Pictogramas:

A. Duração de vida limitada - B. Temperaturas toleradas - C. Precauções de utilização - D. Limpeza/desinfeção - E. Secagem - F. Armazenamento/transporte - G. Manutenção - H. Modificações/repares (interditas fora das oficinas Petzl salvo peças sobresselentes) - **I. Questões/contacto**

Garantia 3 anos

Contra qualquer defeito de material ou fabrico

NL

In deze bijslufter wordt uitgelegd hoe u uw materiaal juist moet gebruiken. Er komen hierin slechts enkele technieken en toepassingen aan bod. De waarschuwingsborden geven u bepaalde mogelijke gevaren aan rond het gebruik van uw materiaal, maar we kunnen hier uiteraard niet alles behandelen. Lees daarom de nieuwste updates en aanvullende info op Petzl.com. U bent zelf verantwoordelijk om met elke waarschuwing rekening te houden en uw materiaal juist te gebruiken. Elk verkeerd gebruik van dit materiaal zal aan de oorsprong liggen van tikomende gevaren. Neem bij twijfel of onduidelikheden contact op met Petzl.

1. Toepassingsveld

Persoonlijk beschermingsmiddel (PBM).

ASAP LOCK: mobiele antivallebeveiliging op touw met blokkeerfunctie.

Dit product mag niet méér belast worden dan toegelaten en mag niet gebruikt worden in elke situatie waarvoor het niet bedoeld is.

Verantwoordelijkheid

LET OP

De activiteiten die het gebruik van deze uitrusting vereisen, zijn van nature gevaarlijk.

U staat zelf in voor uw daden, beslissingen en veiligheid.

Voorrad u deze uitrusting gebruikt, moet u:

- Alle gebruiksinstructies lezen en begrijpen.
- Een aangepaste training volgen voor het gebruik van deze uitrusting.
- Zich vertrouwd maken met uw uitrusting, en de prestaties en beperkingen ervan leren kennen.
- De inherente risico's begrijpen en aanvaarden.

Het niet-respecteren van een van deze waarschuwingen kan leiden tot ernstige of dodelijke verwondingen.

Dit product mag enkel gebruikt worden door (personen die onder direct visueel toezicht staan van) bevoegde en beraden personen.

U staat zelf in voor uw daden, beslissingen en veiligheid, en neemt dan ook persoonlijk de gevolgen op zich. Indien u in staat bent om deze verantwoordelijkheid op zich te nemen of de gebruiksinstructies niet goed begrepen hebt, gebruik dit apparaat dan niet.

2. Terminologie van de onderdelen

(1) Body, (2) Verbindingsarm, (3) Schroef, (4) Verbindingsas, (5) Tussenstuk, (6) Palen, (7) Arm, (8) Arm-as, (9) Blokkeerschijf, (10) Blokkeerknop, (11) STRING.
Voornaamste materialen: aluminium legering (body, arm), roestvrij staal (schijf, verbindingsarm), polyester, polyamide (touwren).

3. Check: te controleren punten

Uw veiligheid is afhankelijk van uw volledige uitrusting.

Petzl beveelt op zijn minst een grondige 12-maandelijkse controle door een bevoegd persoon aan (conform de geldende normen in uw land en de omstandigheden waarin u uw product gebruikt). Let op: een intensiever gebruik kan ervoor zorgen dat u uw PBM vaker moet controleren. Leef de gebruikregels na zoals vermeld op Petzl.com. Vermijd de resultaten op de fiche van uw PBM: type, model, gegevens van de fabrikant, serienummer of individuele nummer, data van fabricage, aankoop, eerste ingebruikneming, volgende periodieke nazichten; gebreken, opmerkingen, naam en handtekening van de controleur.

Vóór elk gebruik

ASAP LOCK: controleer of de absorber goed ingestalleerd is op de verbindingsarm en of de schroef stevig vast zit.

Controleer op afwezigheid van scheuren, vlekken, vervormingen, slijtage, corrosie (op de body, schijf, arm, verbindingsarm).

Controleer de staat van de kammen en de werking van de terugslaaevoer.

Controleer of de arm goed rond de as draait en of de terugslaaevoer goed werkt. Controleer de schijf op afweid en de tanden op slijtage. Let op: als er een of meer tanden ontbreken, gebruik de ASAP LOCK dan niet meer.

Ga in het geval van vervuilde tanden naar het hoofdstuk Reiniging, onderhoud. Controleer of de schijf mooi gekijmatig draait, over een volledige tour in beide richtingen.

Touw: controleer de staat van het touw conform de richtlijnen van de fabrikant. Het touw moet afgekeurd worden als hij een val heeft algeremd, als de kern aangetast blijkt of als de mantel beschadigd of bevuild is.

Tijdens het gebruik

Het is belangrijk om regelmatig de staat van het product te controleren, alsook zijn verbindingen met de andere onderdelen van het systeem. Vergewis u ervan dat alle elementen goed geplaatst zijn ten opzichte van elkaar.

Let op voor vreemde elementen die de steun van de blokkeerschijf op het touw en de rotatie ervan kunnen belemmeren. Bescherm uw ASAP LOCK tegen projecties tijdens het werken (verf, cement, ...). Zorg ervoor dat de blokkeerschijf altijd op het touw grijpt.

4. Veiligbaarheid

Gelieve na te zien of dit product compatibel is met de andere elementen van het systeem in uw toepassing (compatibiliteit = een goede functionele interactie).

Gordel:

Verbind de energieabsorber van uw ASAP LOCK met het antivallinbindpunt van uw gordel.

Leeftijd met energieabsorber:

Gebruik de ASAP LOCK enkel met de compatibele energieabsorbers van Petzl, gecertificeerd volgens de norm ANSI Z359.13:

- ASAP/SORBER 20 en 40 versie 2019 en volgende.

- ASAP/SORBER AXESS.

De energieabsorber mag niet verlangd worden (maximaal één karabiner (lengte max. 12 cm) aan elk uiteinde).

Touw:

Gebruik de ASAP LOCK met het RAY 11-12 mm touw.

5. Werkingsprincipe

Op een gemiddelde snelheid draait de blokkeerschijf vrij in beide richtingen. Bij een snelle beweging naar beneden wordt de rotatie van de blokkeerschijf gestopt: het touw wordt vastgeklemd tussen de schijf en body, en wordt geblokkeerd.

6. Installatie en werkingstest van de ASAP

Voorbereiding:

Gebruik enkel de originele schroef van uw ASAP LOCK. Voorzie uw schroef van remdraad voordat u hem begint te monteren.

Installeer de energieabsorber en sluit de verbindingsarm. Span aan een controleur of de as goede gepositioneerd is en of de schroef stevig vast zit.

Verbinding met de gordel:

Gebruik enkel de OXAN TRIACT-LOCK karabiner internationale versie met CAPTIV bevestigingsbeugel.

Installatie: open de palen om het touw in de body te plaatsen en sluit ze zodat de blokkeerschijf in het touw kan grijpen.

Opgelet: de ASAP LOCK is directioneel, hij blokkeert slechts in één richting. Er is levensgevaar als u de ASAP LOCK in de verkeerde richting op het touw aanbrengt.

Voer bij elke installatie een werkingstest uit

Deblokkering: deblokkeer de schijf na de werkingstest zodat hij weer normaal op het touw glijd.

Blokkeerfunctie: gebruik de blokkeerknop van de schijf om te verhinderen dat de ASAP LOCK naar beneden op het touw schuift. Opgelet: als u per ongeluk op de geblokkeerde ASAP LOCK hangt, is het niet mogelijk om het apparaat te deblokkeren onder spanning.

7. Gebruiksaanwijsschriften

Mogelijkheid om een stoppalt te maken door een knoop in het touw te leggen.

Ga tijdens uw vooruitgang regelmatig na of het touw goed in de ASAP LOCK glijd zodat u zeker bent dat u geen lus met overvligg touw creëert, die de hoogte van een mogelijke val zou kunnen vergroten. Maximaal toegelaten valhoogte: twee keer de lengte van de energieabsorber (inclusief karabiners).

De mobiele antivallebeveiliging mag niet met meer dan één touw verbonden worden.

De mobiele antivallebeveiliging mag niet met meer dan één gebruiker verbonden worden.

Nuttige last van 130 lbs (58 kg) tot 310 lbs (140 kg).

Gebruik geen mobiele antivallebeveiliging wanneer u zich op een zandtege of waterachtige ondergrond bevindt of wanneer er een risico is dat u over zo'n ondergrond valt.

Wilt u de ASAP LOCK op het touw verplaatsen, houd hem dan niet volledig in de hand, maar trek eraan met de energieabsorber.

Een dynamische overbelasting kan het touw beschadigen. Als het touw van de ASAP LOCK al belast wordt, moet de gebruiker een ander veiligheidssysteem voorzien.

Gebruik op een hellend vlak:

Let op: wanneer u traag van bv. een niet zo hellend dak glijd, is het mogelijk dat de ASAP niet onmiddellijk geactiveerd wordt. Leg daarom een stopknoop in het touw wanneer het risico bestaat dat u tegen iets aan botst.

8. Tirant d'air

Uw positie tegenover de mobiele antivallebeveiliging bepaalt de mogelijke valhoogte. Wanneer u zich boven de mobiele antivallebeveiliging bevindt (zonder lus met overvligg touw), komt uw mogelijke valhoogte overeen met twee keer de lengte van de energieabsorber (inclusief karabiners). De tirant d'air is de minimale ruimte die onder de gebruiker vrij moet blijven om elke botsing met een hindernis bij een val te vermijden.

Bij de berekening van de tirant d'air moet u rekening houden met:

- De hoogte van de val.
- De stopafstand van de ASAP LOCK.
- De uitschuivingslengte van de energieabsorber.
- De gemiddelde grootte van de gebruiker.
- Een veiligheidsmarge van 1 m.

De elasticiteit van het touw (E) varieert naargelang de situatie en moet bijgeteld worden bij uw berekening van de tirant d'air. Meer weten? Raadpleeg de technische tips van de ASAP LOCK op Petzl.com. De opgegeven waarden zijn gebaseerd op theoretische schattingen en valtests met stijve massa's.

Houd bij een valstopstelsysteem rekening met de lengte van de karabiners, want die beïnvloedt de valhoogte.

9. Reiniging, onderhoud

Vermijd dat er enige voelstof in het mechanisme van de blokkeerschijf binnendringt. Voor de reiniging van de tanden van de schijf is het gebruik van een solvent niet aangeraden, maar u kunt het eventueel wel heel voorzichtig met een penseel aanbrengen zodat het niet in het mechanisme kan sijpelen.

10. Extra informatie

Maximale valstopafstand volgens de norm ANSI Z359.15: 11 ft (3,35 m).

- Voorzie de nodige reddingsmogelijkheden om snel te kunnen reageren bij eventuele moeilijkheden.

- De verwerking van het systeem bevindt zich bij voorkeur boven de positie van de gebruiker en moet voldoen aan de vereisten van de norm EN 795 (minimale weerstand van 12 kN).

- In een valstelsysteem is het van essentieel belang dat u vóór elk gebruik nagaat dat er onder de gebruiker de nodige vrije ruimte is, zodat elke botsing met de grond of een hindernis bij een val vermeden wordt.

- Zorg voor de juiste positionering van het verankeringspunt om het risico op een singerbeweging en de hoogte van een val te beperken.

- In een valstelsysteem is enkel het gebruik van een antivalgordel toegelaten als verbinding naar het lichaam.

- Er kan zich een gevaar voordoen tijdens het gebruik van meerdere uitrustingen waarbij de veiligheidsfunctie van een van de apparaten kan beïnvloed worden door de veiligheidssfunctie van een ander apparaat.

- OPGELET GEVAAR: zie erop toe dat uw producten niet schuren over ruwe oppervlakken of scherpe randen.

- De gebruikers moeten medisch geschikt zijn voor activiteiten op hoogte. LET OP: onbeweiglijk hangen in een gordel kan ernstige fysiologische letsels of de dood veroorzaken. - De gebruiksinstructies, bepaald in de bijslufter van elke uitrusting geassocieerd met dit product, moeten worden gerespecteerd.

- De gebruiksinstructies moeten geleerd worden aan de gebruiker van deze uitrusting in de taal van het land van gebruik.

- Zorg ervoor dat de markeringen op het product goed leesbaar zijn.

Afslrijven:

LET OP: een uitzonderlijk voorval kan u ertoe brengen het product af te schrijven na één enkel gebruik (type en intensiteit van gebruik, gebruiksomgeving: agressieve milieu's, zeewater, scherpe randen, ruwe oppervlakken, machines in beweging, elektrische schok, extreme temperaturen, chemische producten ...).

Een product moet worden afgeschreven wanneer:

- Het een belangrijke val (of belasting) heeft ondergaan.

- Het resultaat van de controles van het product geen voldoende geeft. U twijfelt aan de betrouwbaarheid ervan.

- U zijn volledige gebruikshistoriek niet kent.

- Het product in onbruik is geraakt (evolutie van de wetten, de normen, de technieken of onverenigbaarheid met de andere delen van de uitrusting ...).

Vernietig deze afgeschreven producten om een verder gebruik te vermijden.

Pictogrammen:

A. Onbepaalde levensduur - B. Toegelaten temperatuur - C. Gebruiksaanwijsschriften - D. Reiniging/desinfectie - E. Droging - F. Berging/transport - G. Onderhoud - H. Veranderingen/herstellingen (buiten de fabriek van de Petzl ateliers, behalve voor vervangstukken)

I. Vragen/contact

3 jaar garantie

Voor fabricage- of materiaalfouten. Met uitzondering van: normale slijtage, oxidatie, veranderingen of aanpassingen, slechte berging, slecht onderhoud, nalatigheid of toepassing waarvoor dit product niet bestemd is.

Waarschuwingsoorden

1. Situatie die een dreigend risico op een ernstige of dodelijke verwonding inhoudt. 2. Blootstelling aan een mogelijk risico op een incident of verwonding. 3. Belangrijke informatie over de werking of de prestaties van uw product. 4. Niet compatibel met ander materiaal.

Markering en tracering van de producten

a. Conform de vereisten van de verordening betreffende PBM's. Erkend keuringsorganisme dat zich uitspreekt over het EU type-examen - b. Nummer van de bevoegde instantie die de productie van dit PBM controleert - c. Tracering: datamatrix - d. Compatibiliteit touwen - e. Individuele nummer - f. Fabricagejaar - g. Fabricagejaar - h. Lotnummer - i. Individuele identificatie - j. Normen - k. Lees aandachtig de technische bijslufter - l. Identificatie van het model - m. Maximale nominale last - n. Keuringsorganisme ANSI/ASSE

DK

Brugsanvisningen indeholder forklaringer på, hvordan udstyret anvendes korrekt. Kun enkelte ændvelser og teknikker er beskrevet. Advarselskiltene informerer dig om nogle potentielle risici, som er forbundet med anvendelsen af udstyret, men det er umuligt at beskrive dem alle. Du kan finde opdateringer og flere oplysninger på Petzl.com Du er selv ansvarlig for at tage højde for alle advarselre og anvende udstyret korrekt. En forkert anvendelse af udstyret kan forårsage yderligere risici. Kontakt Petzl, hvis du er i tvivl eller har svært ved at forstå brugsanvisningen.

1. Anvendelsesområde

Persnligt værnemiddel (PV).

ASAP LOCK: Mobil faldsikring til reb med låsefunktion.

Produktet må ikke overbelastes eller bruges til andre formål end det, produktet er bestemt til.

Ansvar

ADVARSEL

De aktiviteter, som indebærer anvendelse af dette udstyr, er forbundet med risici og er dermed farlige. Du er ansvarlig for dine egne handlinger, beslutninger og sikkerhed.

For anvendelse af dette udstyr, skal du:

- Læse og forstå alle instruktioner i brugsanvisningen.
- Få specifik træning i korrekt anvendelse af udstyret.
- Blive bekendt med udstyret, dets ydeevne og begrænsninger.
- Forstå og acceptere risikoen forbundet med udstyret.

Manglende overholdelse af én eller flere af disse advarsler kan resultere i alvorlige kvæstelser eller dødsfald.

Udstyret bør kun benyttes af kompetente og erfarne personer, eller under direkte opsyn af en kompetent og erfaran person.

Du er ansvarlig for dine handlinger, beslutninger og sikkerhed, og du må påtage dig ansvaret for konsekvenserne heraf. Du må ikke bruge udstyret, hvis du ikke er i stand til at påtage dig dette ansvar, eller hvis du ikke forstår hele brugsanvisningen.

2. Fortegnelser over delene

(1) Ramme, (2) Gaffel, (3) Skruer, (4) Fastgørelsesbolt, (5) afstandsskriver, (6) Sikkerhedsstopper, (7) Arm, (8) Armens aksel, (9) Låsehjul, (10) Låseknop, (11) STRING.
Hovedmaterialer: aluminiumlegering (ramme, arm), rustfrit stål (låsehjul, gaffel), polyester, polyamid (reb).

3. Kontrolpunkter

Din sikkerhed afhænger af, at udstyret er fuldstændig funktionsdygtigt.

Petzl anbefaler, at udstyret efterses indgående af en kompetent person mindst én gang hver 12. måned (i overensstemmelse med reglerne gældende i dit land og din anvendelse af produktet). Advarsel: Afhængig af brugens omfang kan du være nødt til at kontrollere dit personlige værnemiddel hyppigere. Fremgangsmåder beskrevet på Petzl.com bør overholdes. Registrer resultaterne i logbogen for dit personlige værnemiddel (PV): Udstyrstype, model, oplysninger om producenten, serienummer eller individuelt nummer, dato for fremstilling, køb, første anvendelse, næste regelmæssige kontrolundersøgelser, fejl, bemærkninger, inspektørens navn og underskrift.

For enhver anvendelse

ASAP LOCK: Controller, at falddæmperen er fastgjort korrekt på gafflen, og at skruen er spændt tilstrækkeligt.

Controller, at der ikke er revner, mærker, deformationer, slijtage og korrosion på ramme, låsehjul, arm og gaffel.

Controller, at sikkerhedsstopperne er i god stand, og at deres returfejler fungerer effektivt. Controller, at armen drejer rundt om akslen, og at returfejlerne fungerer effektivt. Controller, at låsehjulet er rent, og at tænderne ikke er nedslidte. Advarsel: Anvend ikke ASAP LOCK, hvis én eller flere af tænderne mangler.

Hvis tænderne er beskadjete, se afsnit om rengøring og vedligeholdelse. Controller, at låsehjulet kan rotere en hel omgang i begge retninger uden at stoppe.

Reb: Controller rebets tilstand i overensstemmelse med producentens instrukser. Rebet skal skiftes ud, hvis det har standset et fald, kernen ser beskadiget ud, og strompen er ødelagt eller plettet.

Under anvendelsen

Det er vigtigt, at produktets tilstand og forbindelser til andet udstyr fra sikringsssystemet kontrolleres regelmæssigt. Controller, at delene i udstyret sidder rigtigt i forhold til hinanden. Hold det frit for fremmedlegemer, som kan forhindre, at låsehjulet kan støtte på rebet og køre rundt. Beskyt ASAP LOCK mod sprøjt (malning, cement, osv.) under arbejdet. Tjek, at låsehjulet altid er i kontakt med rebet.

4. Kompatibilitet

Controller, at produktet er foreneligt med det øvige udstyr fra sikringsssystemet for den valgte aktivitet (forenelighed = de benyttede værnemidler fungerer godt indbyrdes).

Sele:

Fastgør ASAP LOCK falddæmpern til selven ved faldsikringsens fastgørelsespunkt.

Sikkerhedsline med falddæmper:

Brug ASAP LOCK udelukkende med kompatibel Petzl falddæmper certificeret i henhold til ANSI Z359.13:

- ASAP/SORBER 20 og 40 som 2019-model og efterfølgende.

- ASAP/SORBER AXESS.

Falddæmpern må ikke forlænges (kun ét forbindelsesled med en maks. længde på 12 cm på hver ende).

Reb:

Anvend ASAP LOCK med rebet RAY 11-12 mm.

5. Arbejdsprincip

Ved modret hastighed roterer låsehjulet frit i begge retninger. Ved en hastig nedadgående bevægelse vil låsehjulets rotation stoppe: Rebet er klemt mellem låsehjulet og rammen.

6. Montering og funktionstest af ASAP

Forberedelse:

Anvend udelukkende originalskruen fra ASAP LOCK. Brug låsevæske på skruen for montering. Monter falddæmperen og lås gafflen. Spænd skruen og controller, at akslen er i korrekt position og at skruen er spændt ordentligt.

Forbindelsen til selven:

Anvend udelukkende den internationale model af OXAN TRIACT-LOCK karabiner med en CAPTIV bar.

Montering: Åbn sikkerhedsstopperne, sæt rebet ind i rammen, og luk derefter sikkerhedsstopperne, således at låsehjulet er i kontakt med rebet.

Vær opmærksom på, at ASAP LOCK er retningsbestemt. Den låser kun i én retning. Det er ifølgelig, hvis ASAP LOCK placeres omvendt på rebet.

Udfør en funktionstest ved hver montering.

Friholdelse: Når funktionstesten er udført, skal låsehjulet frigøres, så det kan bevæge sig frit på rebet.

Låsefunktion: Brug hjulets låseknop for at forhindre ASAP LOCK i at bevæge sig ned ad rebet. Advarsel: I tilfælde hvor man bliver hængende i en låst ASAP LOCK, kan denne ikke låses op, mens den er under belastning.

7. Forholdsregler for brug

Mulighed for at lave en stopknode ved at binde en knude på rebet.

Controller jævnligt, at rebet glider frit igennem ASAP LOCK mens du klæder, så du undgår, at der kommer slæk i rebet og at faldhøjden herved øges. Maksimal tilladte faldlængde: den dobbelte af falddæmperens længde (inkl. forbindelsesled).

Den mobile faldsikring må ikke forbindes med mere end ét reb. Den mobile faldsikring må ikke forbindes med mere end én bruger.

Nyttelast fra 130 lbs (58 kg) til 310 lbs (140 kg).

Du må ikke bruge den mobile faldsikring, når du befinder dig på en korret overflade eller på en væskoverflade, eller når der er risiko for, at du falder igennem en sådant overflade.

For at flytte ASAP LOCK på rebet, skal du ikke holde med den hele hængslen. Træk i den vha. falddæmperen.

Dynamisk overbelastning kan beskadige rebet. Hvis rebet i ASAP LOCK er belastet, skal brugeren have et ekstra sikkerhedsreb tilgængelig.

Anvendelse på en skråning:

Advarsel: Ved langsom glidning på tage, som ikke er særlig stejle, kan det ske, at ASAP ikke straks udløses. Bind en stopknode på rebet, hvis der er en risiko for at støde imod en forhindring.

8. Friholdelse

Faldlængden bestemmes af din position i forhold til den mobile faldsikring: Hvis du står oven over den mobile faldsikring - uden slæk i rebet - er din potentielle faldlængde den dobbelte af falddæmperens længde (inkl. forbindelsesled).

Friholdelse er den minimale fri højde mellem faldsikringsystemet og forhindringer/underlaget under brugeren, som kræves for at forhindre brugeren i at støde imod forhindringer/underlaget i tilfælde af fald.

Friholdjen tager hensyn til:

- Faldlængden

- ASAP LOCK stopplængde.

- Længden på falddæmperens afrevne som.

- Brugersens gennemsnitlige højde.

- En sikkerhedsstopper på 1 m.

Elasticiteten i rebet (E) kan variere afhængig af situationen og skal tages i betragtning, når du beregner friholdjen.

Du kan finde mere information i ASAP LOCK teknisk vejledning på Petzl.com.

De angivne værdier er baseret på teoretiske beregninger og faldtest, som er gennemført med en fast masse.

I et faldsikringsystem skal længden på forbindelsesledene, som har en betydning for faldlængden, tages i betragtning.

9. Rengøring, vedligeholdelse

Undgå, at der kommer væske ind i låsehjulets mekanisme.

SE

Dessa instruktioner förklarar hur du använder din utrustning korrekt. Endast vissa tekniker och användningsområden är beskrivna. Varningssymbolerna ger information om några potentiella risker relaterade till användning av utrustningen, det är omöjligt att beskriva alla. Gå in på Petzl.com för uppdateringar och ytterligare information. Du är själv ansvarig för att beakta varje varning och använd utrustningen korrekt. Felanvändning av denna utrustning skapar ytterligare faror. Kontakta Petzl om du är osäker på eller har svårt att förstå något i dessa dokument.

1. Användningsområden

Personlig skyddsutrustning (PPE).

ASAP LOCK: mobiltt fallskydd för rep, med låsfunktion.

Denna produkt får inte belastas över sin hållfasthetsgräns eller användas till ändamål den inte är avsedd för.

Ansvar

VARNING

Aktiviteter där denna typ av utrustning används är alltid riskfyllda. Du ansvarar själv för dina egna handlingar, beslut och din säkerhet.

Innan du använder denna utrustning måste du:

- Läsa och förstå samtliga användarinstruktioner.
- Få särskild övning i hur utrustningen ska användas.
- Lära känna utrustningens egenskaper och begränsningar.
- Örsta och godta befintliga risker.

Om dessa varningar ignoreras kan det medföra allvariga skador eller dödsfall.

Denna produkt får endast användas av kompetenta och ansvarfulla personer eller av personer som övervakas av en kompetent och ansvarfull person. Du ansvarar själv för dina egna handlingar, beslut och din säkerhet och är medveten om konsekvenserna av dessa. Använd inte produkten om du inte kan eller har möjlighet att ta detta ansvar eller denna risk, eller inte förstår någon av dessa instruktioner.

2. Utrustningens delar

(1) Ram, (2) Klyka, (3) Skruv, (4) Inkopplingspörritt, (5) Avståndsbricka, (6) Säkerhetsspärrar, (7) Arm, (8) Armxel, (9) Låshjul, (10) Låsknapp, (11) STRING.
Huvudsakliga material: aluminiumlegering (ram, arm), rostfritt stål (låshjul, klyka), polyester, nylon (rep).

3. Inspektion, punkter att kontrollera

Din säkerhet beror av skicket på din utrustning.

Petzl rekommenderar en utförlig inspektion utförd av en kompetent person minst var 12:e månad (beroende på aktuell lagstiftning i det land den används samt under vilka förhållanden den används). Varning: din frekvens på användningen kan påverka ditt behov av att inspektera din PPE mer frekvent. Följ anvisningar beskrivna på Petzl.com. Dokumentera resultaten i formuläret för PPE inspektion: typ, modell, tillverkarens kontaktnio, serienummer eller individuella nummer, datum, tillverkning, inköp, första användning, nianumrör, problem, kommentarer, kontrollantens namn och signatur.

Före varje användningsstillfälle

ASAP LOCK: kontrollera att falldämparen är korrekt installerad i klykan, och att skruven är ordentligt åtdragen. Kontrollera att det inte finns några sprickor, skårar, deformationer, slitage, rost (på ramen, hjulet, armen, klykan).

Kontrollera skicket på säkerhetsspärarna och att deras fjädrar fungerar. Kontrollera att armen sig rör runt axeln, och att fjädern fungerar korrekt. Kontrollera att låshjulet är rent och att tänderna inte är nedrotna. VARNING: om det fattas tänder, använd inte din ASAP LOCK. Om tänderna är smutiga, se avsnittet om underhåll och rengöring. Kontrollera att låshjulet roterar friktionsfritt ett helt varv åt båda håll. **Repet:** verifiera skicket på repet enligt tillverkarens instruktioner. Repet ska kasseras om det varit inblandat i ett fall, om kärnan verkar vara deformationer, eller om manteln är skadad eller fläckad.

Under användning

Det är viktigt att regelbundet inspektera produktens skick och dess förbindelsepunkter med andra delar i utrustningen. Se till att de olika delarna i utrustningen är korrekt sammansatta i förhållande till varandra. Var uppmärksam på främmande föremål som kan hindra låshjulet från att komma i kontakt med repet, eller att snurra. Skydda din ASAP LOCK från stänk när du arbetar (färg, cement,...). Se till att låshjulet alltid har kontakt med repet.

4. Kompatibilitet

Se till att denna produkt är kompatibel med andra delar i systemet för ditt användande (kompatibel = fungerar bra ihop).

Sele:

Koppla in ASAP LOCK falldämparen i fallskyddspunkten på seLEN.

Falldämpande slinga:

Använd ASAP LOCK enbart med kompatibla Petzl falldämpare certifierade enligt ANSI Z359.13 standard:

- ASAP SORBER 20 och 40 (2019 och senare versioner).

- ASAP SORBER ACCESS.

Falldämparen får inte förångas (max en karbin (maximal längd 12 cm) i vardera änden).

Rep:

Använd ASAP LOCK med RAY 11-12 mm rep.

5. Funktion

Vid måttliga hastigheter rör sig låshjulet fritt i båda riktningar. En snabb nedåtgående rörelse stoppar låshjulets rotation och repet låses fast genom att klämmas fast mellan hjulet och ramen.

6. Installation av ASAP samt funktionstest

Förberedelse:

Använd alltid ASAP LOCK original skruv. Använd en gängjärmsåkring på skruven innan montering.

Installera falldämparen och stäng klykan. Dra åt, kontrollera att axeln har korrekt position och skruven är ordentligt åtdragen.
Inkoppling i seLen:
Använd alltid OXAN TRIACT LOCK karbin (internationell version) med CAPTIV bar.
Installation: öppna säkerhetsspärarna för att placera repet i anordning, lås spärnar för att låshjulet ska få kontakt med repet .

Varning: ASAP LOCK låser endast i en riktning. Dödsfara om ASAP LOCK har monterats upp och ner på repet.

Om ett funktionstest före varje installation.

Upplåsning: efter funktionstestet lås upp hjulet så att redskapet kan glida på repet normalt.
Låsfunktion: använd hjulets låsknapp för att förhindra ASAP LOCK från att röra sig nedåt på repet. Varning: i händelse av att man blir hängande i en låst ASAP LOCK, kan den inte låsas upp när den är belastad.

7. Försiktighetsåtgärder vid användning

Du kan knyta en knut på repet för att begränsa rörelseområdet. Under fortskridande rotationer regelbundet att repet glider genom ASAP LOCK korrekt för att undvika släck som kan öka längden på ett eventuellt fall. Maximala tillåtna falllängden: två gånger falldämparens längd (karbinerna inräknat).

Mobila fallskyddet ska inte vara kopplat till mer än ett rep.

Mobila fallskyddet ska inte vara kopplat till mer än en användare.

Arbetsbelastning 130 lbs (58 kg) - 310 lbs (140 kg).

Använd inte mobila fallskydd när användaren står på ostabila underlag, flytande material eller partikulära substanser såsom sand eller kol.

För att fylla ASAP LOCK på repet hålla den inte med hela handen, dra den med hjälp av falldämparen.

En dynamisk överbelastning kan skada repet. Användaren måste ha ett annat back-up system om ASAP LOCK repet är belastat.

Användning på sluttande underlag:

VARNING: Om du till exempel glider långsamt längs ett tak med liten vinkel aktiveras kanske inte ASAP omedelbart. Se till att knyta en stoppknut på repet om det finns risk att du slår emot ett hinder.

8. Frihjärd

Din position i förhållande till mobila fallskydd avgör längden på ett eventuellt fall: om du befinner dig ovanför fallskyddet - utan släck på repet - längden på ett eventuellt fall blir två gånger falldämparens längd (karbinerna inräknat). Frihjärd är det minsta fallhöjden nedanför användaren som krävs för hindra användaren från att komma i kontakt med ett hinder i händelse av ett fall. Frihjärd tar hänsyn till:

- Fallängd.
- Stoppsträckan för ASAP LOCK.
- Längden på den upprivna falldämparen.
- Medellängd på användare.
- En säkerhetsmarginal på 1 meter.
- Repets elasticitet (E) varierar med situationen och måste läggas till i beräkningen av frihjärd.
- För mer information se ASAP LOCK tekniska tips på Petzl.com.
- De värden som presenteras är baserade på teoretiska uppskattningar samt falltest med en vikt. I ett fallskyddssystem måste det tas hänsyn till längden av eventuella karbiner som kan påverka falllängden.

9. Rengöring, underhåll

Undvik att få in vätska i låsmekanismen.

För rengöring av tänderna på låshjulet bör man undvika lösningsmedel. Dock är det möjligt om man använder en borste och är nogga med att det inte kommer in lösningsmedel i låsmekanismen.

10. Ytterligare information

Max distans man kommer innan stopp enligt ANSI Z359.15 standard: 11 ft (3.35m).

- Du måste ha en räddningsplan och resurser för att snabbt genomföra räddning om problem skulle uppstå vid användning av denna utrustning.

- Systemets förankringspunkt bör helst vara ovanför användaren och ska uppfylla kraven i standarden EN 795 (minsta hållfasthet 12 KN).

- I ett fallskyddssystem är det viktigt att kontrollera den erforderliga frihöjden under användaren före varje användning för att undvika kontakt med marken eller kollision med ett hinder vid ev. fall.

- Se till att ankarpunkterna är korrekt placerade för att minska risken för pendling och fallängden.
- En fallskyddssele är den enda tillåtna utrustningen för att stötta kroppen i ett fallskyddssystem.
- När flera olika utrustningsdelar används ihop kan en farlig situation uppstå när ena delens säkerhetsfunktion kan påverkas av säkerhetsfunktionerna hos en annan del.
- VARNING, FARA: se till att produkterna inte skrapas emot skrovliga eller vassa ytor.
- Användare måste vara fysiska för att utföra aktiviteter på hög höjd. VARNING: ett hängande fritt utan att röra på sig (t ex vid medvetslöshet) längre perioder i sele kan leda till allvariga skador eller dödsfall.
- Användarinstruktionerna för varje del i utrustningen som används ihop med denna produkt måste följas.
- Bruksanvisningen för denna utrustning måste finnas tillgänglig på det språk som talas i det land där produkten ska användas.
- Se till att markeringarna på produkten är läsliga.

När produkten inte längre ska användas:

VARNING: i extremfall kan produkten behöva kasseras efter ett enda användningsstillfälle, beroende på hur och var den används och vad den utsätts för (fuffa miljöer, hevsmältor, vassa kanter, skrovliga ytor, roterande maskiner, elektriska faror, extrema temperaturer, kemikalier, etc.).

Produkten måste kasseras när:

- Den har blivit utsatt för ett större fall eller kraftig belastning.
- Den inte klarar inspektionen. Du tvivlar på dess skick.
- Du inte helt och hållet känner till dess historia.
- När den blir omedel gpa ändringar i lagstiftningen, nya standarder, ny teknik eller är inkompatibel med annan utrustning etc.

Förstör dessa produkter för att undvika framtida bruk.

Ikoner

A. Öbegränsad livslängd - B. Godkända temperaturer - C. Försiktighetsåtgärder användning - D. Rengöring/underhåll - E. Torkning - F. Förvaring/transport - G. Underhåll - H. Andringar/reparationer (ej tillätna utanför Petzls lokaler, undantaget reservdelar) - **I. Frågor/kontakt**

3 års garanti

Mot alla material- och tillverkningsfel. Undantag: normalt slitage, rost, modifieringar eller ändringar, felaktig förvaring, dåligt underhåll, försurnighet eller felaktig användning.

Varningssymboler

1. Situation som påvisar en överhängande risk för allvarig skada eller dödsfall. 2. Exponering för möjlig risk för olycka eller skada. 3. Viktig information gällande produktens funktion eller prestation. 4. Inkompatibilitet av utrustning.

Spårbarhet och märkning

a. Motsvarar krav enligt PPE förordningen. Testorgan som utför EU-typst - b. Nummer på testorgan som utför produktionskontroll av denna PPE - c. Spårbarhet: datamatrix - d. Repkompatibilitet - e. Serienummer - f. Tillverkningsår - g. Tillverkningsmånad - h. Batchnummer - i. Individuell identifiering - j. Standard - k. Läs instruktionen nogga - l. Modellidentifiering - m. Nominal max belastning - n. ANSI/ASSE certifieringsorgan

FI

Nämnta köttöghjet ohejstavt, miten käyttöä varustelta oikein. Vain jotkin tekniikat ja käyttötavat on esitely. Varuustyyppimöi antavat tietoa jostain varusteiden käyttöön liittyvästä varuista, mutta on mahdotonta mainita ne kaikki. Tarkista päivitykset ja lisäiedot osoitteesta Petzl.com. Olet itse vastuussa siitä, että huomaat varoitukset ja käytät varusteta oikein. Tämän varusteen väärinkäyttö voi aiheuttaa vakavien vaurioiden. Ota yhteyttä Petzlin, jos olet epävarma tai jos et täysin ymmärrä näitä ohjeita.

1. Käyttötarkoitukset

Henkilösuojain (PPE).

ASAP LOCK: putoamisen pysäyttävä köysitarain lukitustoiminnolla.

Tätä tuotetta ei saa kuormittaa y:n sen kestokykyyn, eikä sitä saa käyttää mihinkään muuhun tarkoitukseen kuin siihen, mihin se on suunniteltu.

Vastuu

VAROITUS

Toiminta jossa tätä varustetta käytetään on luonteeltaan vaarallista. Olet vastuussa omista teoista, päätöksistäsi ja turvallisuudestasi.

Ennen tämän varusteen käyttämistä sinun pitää:

- Lueka ja ymmärrä kaikki käyttöohjeet.
- Hankkia käyttöä varten erikoiskoulutus.
- Tutustua sen käyttöolosuuteen ja rajoituksiin.
- Ymmärtää ja hyväksyä tähän liittyvät riskit.

Näiden varoitusten huomiotta jättäminen saattaa johtaa vakavaan loukkautumiseen tai kuolemaan.

Tätä tuotetta saavat käyttää vain pätevät ja vastuulliset henkilöt tai henkilöt, jotka ovat pätevän ja vastuullisen henkilön välittömän valvonnassa väkensä aikana.
Varoitukset: Käyttöä intensiivisyyvi on aiheuttava tarpeen tarkastaa henkilösuojaimen useammin. Noudata osoitteesta Petzl.com annettuja ohjeita. Kirjaa tulokset henkilösuojaimen tarkastuslokkauksees: tyyppi, malli, valmistajan yhteystiedot, sarja- tai yksilönnumero, päivämäärä: valmistuksen, oston, ensimmäisen käyttökerran, seuraavan määräaikaistarkastuksen; ongelmat, kommentit, tarkastajan nimi ja allekirjoitus.

2. Osaluettelo

(1) Runko, (2) Littovarus, (3) Ruuvi, (4) Kinnitystappi, (5) Välikappale, (6) Turvasalvat, (7) Kampi, (8) Liitosvarain akseli, (9) Lukitusvarain rissa, (10) Lukitusvarain kinni, (11) STRING.
Päämateriaalit: aluminiosisos (runko, kampi), tuostumaton teräs (lukkittuvara rissa, metallikinnitin) polyesteri, nallon (kädyet).

3. Tarkastuskohteet

Varusteitteesi luotettavuus vaikuttaa turvallisuuteesi.

Petzl suosittelee, että asiantuntijat tarkastavat varusteet punteellisesti vähintään kerran vuodessa (riippuen käytönnän säästöistä sekä käyttöolosuhteista). Varoitus: Käyttöä intensiivisyyvi on aiheuttava tarpeen tarkastaa henkilösuojaimen useammin. Noudata osoitteesta Petzl.com annettuja ohjeita. Kirjaa tulokset henkilösuojaimen tarkastuslokkauksees: tyyppi, malli, valmistajan yhteystiedot, sarja- tai yksilönnumero, päivämäärä: valmistuksen, oston, ensimmäisen käyttökerran, seuraavan määräaikaistarkastuksen; ongelmat, kommentit, tarkastajan nimi ja allekirjoitus.

Ennen jokaista käyttöä

ASAP LOCK: varmista että nykykäsenvalmennin on oikein kinnitetty liitosvarseen ja että ruuvi on kunnolla kinni.

Varmista että rungossa, rissassa, kammissa tai littovarainissa ei ole halkkeamia, naarmuja, väärntymia tai kulumis- tai syöpmisjäikkeitä.

Tarkasta turvasalvojen kunto ja niiden jousien toimivuus.

Varmista että kampi liikkuu akselin ympärillä ja että jousi toimii. Varmista, että lukittuvara rissa on puhdas ja sen hampaiden välillä ei ole kulumusta. Varoitus: jos yksi tai useampi hamma puuttuu, älä käytä ASAP LOCK-laitetta.

Jos hampaat ovat likaiset, katso ohjeet kohdasta Puhdistus, huolto. Varmista, että lukittuvara rissa pyöri hyvin pyörittämällä sitä täyden kierroksen molempiin suuntiin.

Köysi: tarkasta köyden kunto valmistajan ohjeiden mukaisesti. Köysi tulee poistaa käytöstä, mikäli sen varaan on pudottu, ydin vaikuttaa epämüodostuneelta tai manttel on vahingoittunut tai likaantunut.

Käytön aikana

On tärkeää seurata tuotteen kuntoa ja sen suhdetta järjestelmän muihin laitteisiin säännöllisesti. Varmista, että kaikki varusteet ovat oikeassa asennossa toisiinsa nähden. Varo ukkopuolisia esineitä, jotka voivat estää lukittuvara rissaa pyörimästä tai painumista köyttä vasten. Suojaa ASAPPa roiskeilta työskennellessäsi (maa, sementti...). Varmista että lukittuvara rissa on aina köydessä kiinni.

5. Yhteensopivuus

Varmista tuotteen yhteensopivuus yhdessä käyttämäsi järjestelmän osien kanssa (yhteensopivuus = hyvä toimivuus juidessä käytettynä).

Valjaat:

Kinnitä ASAPFin nykykäsenvalmennin valjaiden putoamisen pysäyttävään järjestelmän kinnityspisteeseen.

Nykykäsenvalmennin:

Käytä ASAP LOCKia vain yhteensopivien, ANSI Z359.13–standardin mukaisten Petzl-nykykäsenvalmentien kanssa:

- ASAP SORBER 20 ja 40 (2019 tai myöhempi versio).
- ASAP SORBER ACCESS.

Nykykäsenvalmenninta ei saa pidentää (enintään yksi (enintään 12 cm pituinen) sulkeurengas kussakin päässä).

Köysi:

Käytä ASAP LOCK -köysitarainta 11-12 mm:n RAY-köydellä.

5. Toimintaperiaate

Lukkittuvara pyöri hiljaissessa vauhdissa vapaasti molempiin suuntiin. Lukittuvaran rissan pyöriminen pysähtyy, kun liikutaan nopeasti alaspäin; köysi jää kiinni puristuessaan rissan ja rungon välin.

6. ASAP-asennus ja toiminnan testaus

Valmistelu:

Käytä vain ASAP LOCK'in alkuperäisiä ruuveja. Laita ruuviliuketta ruuviin ennen kasaamista. Asenna nykykäsenvalmennin ja sulje metallikinnitin. Kiristä ja tarkasta akselin asento sekä ruvin kireys.

Kiinnittäminen valjaisiin:

Käytä CAPTIV-tangon kanssa vain OXAN TRIACT LOCK –liittinä (kansainvälinen versio).
Asennus: avaa turvasalvat ja aseta köysi runkoon, sulje salvat ja kiinnitä lukittuvara rissa köyteen.

Varoitus, ASAP on suunnattava laite ja lukittuvara vain yhteen suuntaan. Kuolemanvara mikäli ASAP asetaa:n ylösalaisin köydele.

Testata toiminta ennen jokaista asennusta.

Avaaminen: avaa rissan lukitus toiminnan testaamisen jälkeen niin, että laite pääsee liukumaan normaaliolosuhteisiin köydessä.

Lukitustoiminto: käytä rissan lukitusvipainkietta käyttäen ASAP LOCKia liukumaasta alaspäin köydessä. Varoitus: mikäli ASAP LOCK kuormittuu vahingossa sen ollessa lukittuutuneena, lukitusta ei voi avata sen ollessa kuormittuuna.

7. Varotoimenpiteet

Siromalla soimu köyteen voidaan luoda kuluun pysäyttävä kohta.

Varoitus, ASAP on suunnattava laite ja lukittuvara vain yhteen suuntaan. Kuolemanvara mikäli ASAP asetaa:n ylösalaisin köydele.

Luukitustoiminto: käytä rissan lukitusvipainkietta käyttäen ASAP LOCKia liukumaasta alaspäin köydessä. Varoitus: mikäli ASAP LOCK kuormittuu vahingossa sen ollessa lukittuutuneena, lukitusta ei voi avata sen ollessa kuormittuuna.

7. Varotoimenpiteet

Siromalla soimu köyteen voidaan luoda kuluun pysäyttävä kohta.

Varoitus, ASAP on suunnattava laite ja lukittuvara vain yhteen suuntaan. Kuolemanvara mikäli ASAP asetaa:n ylösalaisin köydele.

Luukitustoiminto: käytä rissan lukitusvipainkietta käyttäen ASAP LOCKia liukumaasta alaspäin köydessä. Varoitus: mikäli ASAP LOCK kuormittuu vahingossa sen ollessa lukittuutuneena, lukitusta ei voi avata sen ollessa kuormittuuna.

Käyttö kaltevalta tasolla:
VAROITUS: jos liukuminen on hidasta esimerkiksi lievästi kaltevalta katolla, ASAP ei välttämättä aktivoivu välittömästi. Käytä ehdottomasti pädäkeolmuun köydessä, jos on olemassa riski osumisesta johonkin esteeseen.

8. Turvaetäisyys

Sijainti suhteessa putoamisen pysäyttävään köysitarainne määrää mahdollisen putoamissetäisyyteen (piuuden; jos olet tarraimen yläpuolella, eikä köydessä ole köysää, potentiaalinen putoamissetäisyytesi on kaksi kertaa nykykäsenvalmentimen pituus (littimet mukaan lukien).

Turvaetäisyyt tarkoitetta käyttäjän alla olevan tihjan tian minimipituutta, joka estää käyttäjää osumasta maahan tai rakenteisiin putoamisen tilanteissa.

Turvaetäisyyt ottaa huomioon:

- Putoamismatkan
- ASAPin pysähtymissetäisyyden.
- Nykykäsenvalmentimen repeytysspituiduen.
- Työntekijän keskarivoisen pituiduen.
- 1 metrin turvaruuan.

Köyden joustavuus (E) vaihtelee tilanteen mukaan, mikä tulee ottaa huomioon turvaetäisyyttä lasiessa.

Lisätietoa ASAPFin teknisistä ohjeista osoitteesta Petzl.com.

Esitelyt avoitt perustuvat teoreettisiin arvioihin ja kiinteällä materiaalilla tehtyihin puodotustestihin. Putoamisen pysäyttävässä järjestelmässä on erityisen tärkeää tarkastaa käyttäjän alla oleva vaadittava turvaetäisyys ennen jokaista käyttöä, jotta vältytään siltä, että käyttäjä putoamistilanteessa ikehtyy maahan tai johonkin esteeseen.

9. Puhdistus, huolto

Vältä sitä että lukittuvaran rissan mekanismin pääsee nesteitä.

Luottoimen käyttöä ei suositella lukittuvaran rissan hampaiden puhdistamiseen. Sitä voi kuitenkin käyttää, mikäli levittäät sitä suliulla ja jolla huolta siltä, että luottoina pääsee mekanismin.

10. Lisätietoa

ANSI Z359.15–standardin mukainen pisin pysäytysken pysäyttävä etäisyys: 11 jalkaa (3.35 m).

- Sinulla on oltava pelastussuunnitelma ja nopeasti toteutettavat pelastuskeinot, jos tämän varusteen käytön aikana ilmaantuu ongelmia.

- Järjestelmän asiantuntijeen tulisi mieluiten sijaia käyttäjän yläpuolella, ja sen tulisi täyttää EN 795–standardin vaatimukset (12 KN:n minimikestävyyvi).

Putoamisen pysäyttävässä järjestelmässä on erityisen tärkeää tarkastaa käyttäjän alla oleva vaadittava turvaetäisyys ennen jokaista käyttöä, jotta vältytään siltä, että käyttäjä putoamistilanteessa ikehtyy maahan tai johonkin esteeseen.

- Varmista että ankkipuisteella on asiantunnekin sijainti välttääksesi heilurimaisen putoamisen vaaran ja minimoidaksesi putoamiskatetta.

- Putoamisoikeuskovaljaat ovat aina hyväksytyt väline, jolla tuetaan kehoa putoamisen pysäyttävässä järjestelmässä.

- Kun useita varusteissa käytetään yhdessä, yhden varusteen turvatoininto saattaa häiritä toisen varusteen turvatoinintoa, mikä voi johtaa vaaratilanteeseen.

-VAROITUS, VAARA: älä saatä luotteiden hieryntäin rauuttavien pintoihin tai terävin reunoihin. Käyttäjien täytyy soveltaa lääketeettelisen kunnonsa puolesta toimimaan korkealla.

VAROITUS: pitkäaikainen valjaiden varassa roikkuminen saattaa johtaa vakavaan loukkautumiseen tai kuolemaan.

- On noudatettava kaikkien tämän tuotteen kanssa käytettävien varusteiden tuotekohtaisia käyttöohjeita.

NO

Denne bruksanvisningen forklarer hvordan du bruker utstyret på korrekt måte. Kun enkelte teknikker og bruksmetoder er beskrevet. Advarselssymbolene gir informasjon om enkelte potensielle farer som er forbundet med bruk av utstyret, men det er umulig å beskrive alle potensielle farer. Oppdaterting og tilleggsinformasjon finner du på Petzl.com. Du er selv ansvarlig for å forstå og ta hensyn til disse advarelsene, og for å bruke utstyret på korrekt måte. Feil bruk av utstyret vil medføre ytterligere risiko. Kontakt Petzl dersom du er i tvil, eller dersom du ikke forstår bruksanvisningene.

1. Bruksområde

Personlig vernutstyr (P.VU).

ASAP LOCK: løpebrems for tau, med låsefunksjon.

Produktet må ikke brukes utover dets begrensninger eller i andre situasjoner som det ikke er beregnet for.

Ansvar

ADVARSEL

Aktiviteter som involverer bruk av dette produktet er farlige. Du er selv ansvarlig for dine egne handlinger og avgjørelser og din egen sikkerhet.

For du tar i bruk utstyret, må du:

- Lesse og forstå alle bruksanvisningene.
- Sørgre for å få spesifikk opplæring i hvordan produktet skal brukes.
- Gjøre deg kjent med produktet og tillegne deg kunnskap om dets muligheter og begrensninger.
- Forstå og akseptere risikoen i aktiviteter som involverer bruk av produktet.

Manglende respekt for bare ett av disse punktene kan medføre alvorlig personskade eller død.

Dette produktet skal kun brukes av kompetente og ansvarlige personer, eller under direkte tilsyn av en kompetent og ansvarlig person.

Du er selv ansvarlig for dine egne handlinger, avgjørelser og din egen sikkerhet, og du tar selv på deg ansvaret for dette. Dersom du ikke er i stand til å på deg dette ansvaret eller dersom du ikke forstår bruksanvisningene, skal du ikke bruke utstyret.

2. Liste over deler

(1) Ramme, (2) Gaffel, (3) Skruer, (4) Festebolt, (5) Avstandsstykke, (6) Sikkerhetsstoppere, (7) Arm, (8) Bolt til arm, (9) Låsehjul, (10) Låseknapp, (11) STRING.
Hovedmaterialer: ramme og arm i aluminiumsløiering, låsehjul og festearm i rustfritt stål, polyster, tau i nylon.

3. Kontrollpunkter

Den sikkerhet avhenger av at utstyret du bruker er i god stand.

Petzl anbefaler at en grundig kontroll blir gjort av en kompetent person minst én gang årlig (avhengig av gjeldende regelverk i ditt land og hvordan du bruker utstyret).
Advare!: Avhengig av bruksintensitet bør du vurdere å utføre inspeksjon av ditt P.VU oftere.
Følg prosedyrene som er beskrevet på Petzl.com.
For resultatlene inn i et P.VU-kontrollskjema: utstyrstype, modell, navn og kontaktoplysning på produsent, serie- eller uniknummer, datoer: produksjonsdato, kjøpsdato, dato for når produktet ble tatt i bruk, neste periodiske kontroll, kommentarer og markerte feil, kontrollørens navn og signatur og dato for neste planlagte kontroll.

For du bruker produktet

ASAP LOCK påse at falldempere er riktig installert på festearmen og at låsestrukren er skikkelig strammet.

Kontroller at det ikke er sprekker, bulker, deformeringer, slitasje, korrosjon (på rammen, låsehjul, arm, festearm)

Kontroller tilstanden til sikkerhetsstoppere og at dens returfliser fungerer.

Påse at armen og stopperen roterer fritt rundt boltten og at returfliserne fungerer som de skal. Påse at låsehjulet er rent og at tennene ikke er slitte.
Advare!: Dersom det mangler én eller flere tenner, må ikke ASAP LOCK brukes.

Dersom tennene er skitne, må de rengjøres i henhold til instruksjonene i avsnittet om vedlikehold og rengjøring. Påse at låsehjulet roterer fritt er hel gang i begge retninger.

Tau: kontroller at tauet er i god stand. Følg produsentens anvisninger for hvordan du kontrollerer tauet. Tauet må kasseres dersom det har vært utsatt for et fall, dersom kjernen virker skadet eller strempen har skader eller flekker.

Hver gang produktet brukes

Det er viktig å jevnlig kontrollere at produktet fungerer som det skal og at produktets koblinger til andre elementer i systemet fungerer. Forsikre deg om at alle elementene er riktig posisjonert i forhold til hverandre.

Vær oppmerksom på fremmedelementer som kan hindre låsehjulet i å komme i kontakt med tauet, eller som kan hindre det i å rotere. Beskytt ASAP LOCK for sprut fra maling, sement etc. under arbeidet.
Sørg for at låsehjulet alltid er i kontakt med tauet.

4. Kompatibilitet

Kontroller at produktet er kompatibelt med de andre elementene i systemet (kompatibelt = at produktet fungerer som det skal sammen med de andre elementene).

Sele:

Koble falldemper på ASAP LOCK til et tilkoblingspunkt på selen som er beregnet for fallsikring.

Falldempende forbindelseslinje:

Kun ASAP LOCK med kompatibel Petzl falldempere sertifisert etter ANSI Z359.13 standarden: - ASAP RØRBER 20 og 40 (2019 versjon og senere).

- ASAP SØRBER AXESS.
- ASAP LOCK må ikke forlenges (kun et koblingsstykke på maksimalt 12 cm i hver ende).

Tau:

Bruk ASAP sammen med tauet RAY 11-12 mm.

5. Slik fungerer produktet

Ved moderat fart vil låsehjulet rotere fritt i begge retninger. En justerbar bevelegse nedover vil føre til at låsehjulet låser. Tauet blokkeres ved at det klemmes mellom hjulet og rammen på koblingsring.

6. Klargjøring av ASAP og funksjonstest

Forberedelser:

Bruk kun originalskruen til ASAP LOCK. Bruk gjengelam på skruen for man skrur den på. Installer falldempere og skru til skruen. Stram til og sjekk at bolten er riktig posisjonert og at skruen er korrekt strammet til.

Tilkobling til selen:

Bytt kurbelbryttersykket OXAN TRIACT LOCK (internasjonal versjon) sammen med CAPTIV posisjoneringssbykket.

Installasjon: åpne sikkerhetsstoppere, plasser tauet og lukk sikkerhetsstoppere for å engasjere låsehjulet på tauet

Advare!: ASAP LOCK er en retningsbestemt løpebrems og blokkerer tauet som i én bestemt retning. Det medfører livsfarlig dersom ASAP LOCK er posisjonert i gal retning.

Gjør en funksjonstest for hver gangs bruk.

Lesne en blokkering etter funksjonstesten, løsne hjulet slik at det kan ski langs tauet på normal måte.

Låsefunksjon: bruk låseknappen for å hindre ASAP LOCK i å bevege seg nedover på tauet. Advare!: Dersom ASAP LOCK blir utsatt for belastning kan den ikke frigjøres.

7. Forholdsregler for bruk

Det må være mulig å lage en stoppknute på tauet.

Sjekk regelmessig at tauet skir som det skal gjennom ASAP LOCK, slik at du unngår at det blir slakk i tauet som igjen kan øke fallpotensialet. Maksimal tillatt fallengde: to ganger lengden på falldempere (inkludert koblingsstykker).

Den mobile løpebremsen må ikke kobles sammen med mer enn ett tau.

Den mobile løpebremsen må ikke kobles sammen med mer enn et tau.

Arbeidsbelastning fra 130 lbs (58 kg) til 310 lbs (140 kg).

Bruk ikke den mobile løpebremsen når brukeren er posisjonert på en ustabil overflate med f.eks sand eller kull.

Dra i falldempere for å flytte ASAP LOCK langs tauet, hold ikke rundt hele enheten med hånden.

Dynamisk overbelastning kan skade tauet. Dersom tauet til ASAP LOCK er belastet, må brukeren ha et ekstra sikringstau tilgjengelig.

Bruk i helinger:

ADVARSEL: Ved sakte utfalding, for eksempel på tak med slak helling, vil ikke ASAP nødvendigvis aktiveres med en gang. Husk å knytte en stoppknute på tauet dersom det er risiko for å sammenstøt med et hinder.

8. Klaring

Avstanden mellom deg og den mobile løpebremsen avgjør den potensielle fallengden: Dersom du er posisjonert over den mobile løpebremsen uten slakk i tauet blir den potensielle fallengden det dobbelte av lengde på falldempere (inkludert koblingsstykker).

Klaring er den minste tilstrekkelige avstanden mellom fallsikringssystemet og bakken/strukturen som kreves for å hindre at brukeren treffer bakken/strukturen ved et eventuelt fall.

Klaring tar hensyn til:

- Lengden på fallet.
- Stoppengden for ASAP LOCK.
- Lengden på raknebåndet på falldempere.
- Brukerens gjennomslittshøyde.
- En sikkerhetsmargin på 1 meter.

Elastisiteten i tauet (E) vil variere avhengig av situasjonen og må tas i betraktning når du beregner klaringen.

For mer informasjon og tekniske råd og tips om ASAP LOCK, gå til Petzl.com
Verdne som er oppgitt her er basert på teoretiske beregninger og falltester som er gjort med fast masse.

I et fallsikringssystem må lengden på koblingsstykker som brukes og som vil ha betydning for fallengden, tas i betraktning.

9. Rengjøring og vedlikehold

Ungå å det kommer væske inn i låsehjulets mekanisme.

Det er ikke anbefalt å rengjøre låsehjulets tenner med løsemidler. Hvis du imidlertid bruker en børste, kan du likevel bruke dette, men vær forsiktig så det ikke kommer løsemidler inn i selve mekanismen.

10. Tilleggsinformasjon

Maksimal arstved for stopp av fall er i henhold til standarden i ANSI Z359.15: 11 ft (3,35 m).

- Forutse eventuelle hendelser og ha en plan for hvordan du vil skaffe hjelp dersom du kommer i vanskeligheter.

- Systemets forankringspunkt må fortrinnsvis være plassert ovenfor posisjonen til brukeren, bør være i henhold til kravene i EN 795 og må ha en minimum belastningstoleranse på 12 kN.

- Ved bruk av fallsikringssystem må det alltid være tilstrekkelig klaring under brukeren for å unngå sammenstøt med bakken eller andre strukturer ved et eventuelt fall.

- Sørg for at forankringen er korrekt plassert for å redusere risikoen for, og lengden på, et eventuelt fall.

- Kun godkjente fallsikringsseiler kan brukes i et fallsikringssystem.

- Ved bruk av flere systemer samtidig kan farlige situasjoner oppstå dersom ett av systemene påvirker sikkerhetsfunksjoner i de andre systemene.

- ADVARSEL: FARE. Pass på at produktet ikke gnisser mot materialer med slipeeffekt eller skarpe kanter.

- Brukere må være i medisinsk forsvarlig stand til å drive med aktivitet i høyden. ADVARSEL: Det å henge ubevogget i en sele kan medføre skade eller død.

- Bruksanvisningene som følger med hver del av disse produktene må følges nøye.

- Bruksanvisningene må leveres på språket som benyttes i brukslandet.

- Påse at produktets merking er synlige og leselige.

Når skal utstyret kasseres: Spesielle hendelser kan begrense produktets levetid til kun én gangs bruk. Eksempler på dette er eksponering for barskt klima, saltvann, skarpe kanter, ekstreme temperaturer, kjemiske produkter osv.

Et produkt må kasseres når:

- Det har tatt et kraftig fall eller stor belastning.
- Det blir ikke godkjent i kontroll. Du er i tvil om det er pålitelig.
- Du ikke kjener produktets fullstendige historie.
- Det blir foruledd på grunn av utvikling og ending av lovtekster, standarder, bruksteknikker, og når det blir inkompatibelt med annet utstyr osv.

Destruer disse produktene for å hindre videre bruk.

Ikoner

A. Ubergrenset levetid - B. Temperaturbegrensninger - C. Forholdsregler for bruk - D. Rengjøring/desinfeksjon - E. Torking - F. Oppbevaring/transport - G. Vedlikehold - H. Modifisering/repasasjon (som ikke er godkjent av Petzl er forbudt. Bytting av utskiftbare deler er unntatt forbudet.) - **I. Spørsmål/kontakt oss**

3 års garanti

På alle materielle feil og fabrikkansjefel.
Følgende dekkes ikke av garantien: normal slitasje, oksidering, endringer eller modifikasjoner, feil lagring, dårlig vedlikehold eller annen bruk enn det produktet er beregnet for.

Advarellsymbolor

1. Situasjon skaper overhengende fare for alvorlig skade eller død. 2. Eksponering for potensiell ulykke eller skade. 3. Viktig informasjon om produktets funksjon og virkemåte. 4. Utstyret er ikke kompatibel.

Sporbarhet og merking

A. Er godkjent i henhold til P.VU-direktivet.
Teknikk kontrollorgan som utfører EU-godkjenningen - b. Teknikk kontrollorgan som godkjenner produksjonsprosessen av dette P.VU - c.

Sporbarhet: identifikasjonsmåte - d. Taukompatibilitet - e. Serienummer - f. Produksjonsår - g. Produksjonssted - h. Batchnummer - i. Individuelt identifikasjonsnummer - j. Standarder - k. Les bruksanvisningen grundig - l. Modellidentifikasjon - m. Nominell maksimal belastning - n. ANSI/ASSE teknikskontrollorgan

PL

Niniejsza instrukcja przedstawia prawidłowy sposób używania waszego sprzętu. Zaprezentowane zostały niektóre techniki i sposoby użycia. Symbole trójkątne czaszki ostrzegają przed niektórymi niebezpieczeństwami związanymi z użyciem waszego sprzętu, ale nie jest możliwe wymienienie wszystkich zagrożeń. Należy sprawdzić aktualność instrukcji oraz dodatkowe informacje na Petzl.com. Użytkownik ponosi odpowiedzialność za stosowanie się do każdego ostrzeżenia oraz do prawidłowego użycia waszego sprzętu. Każde złe użycie tego sprzętu będzie prowadziło do powstania dodatkowych zagrożeń. W razie wątpliwości lub trudności zrozumienu instrukcji należy się skontaktować z Petzl.

1. Zastosowanie

Sprzęt Osobny Indywidualny (SOI).

ASAP LOCK: przesuwny przrząd autoasekuracyjny z funkcją blokady.

Produkt nie może być poddawany obciążeniom przekraczającym jego wytrzymałość oraz stosowany do innych celów niż te, do których został przewidziany.

Odpowiedzialność UWAGA

Wszelkie działania wymagające użycia tego produktu są z samej swej natury niebezpieczne. Użytkownik ponosi odpowiedzialność za swoje działania, decyzje i bezpieczeństwo.

Przed użyciem produktu należy:

- Przeczytać i zrozumieć wszystkie instrukcje użytkownika.
- Zdobyc odpowiednie przeszkolenie dla prawidłowego użycania tego produktu.
- Zapoznać się z produktem, z jego parametrami i ograniczeniami.
- Zrozumieć i zaakceptować potencjalne niebezpieczeństwo.

Nieprzeznaczone lub zlekacważenie kóregokółwiek z powyższych ostrzeżeń może prowadzić do poważnych uszkodzeń ciała lub do śmierci.

Produkt ten może być używany jedynie przez osoby kompetentne i odpowiedzialne lub pod bezpośrednią kontrolą takich osób.
Użytkownik ponosi odpowiedzialność za swoje działania, decyzje, bezpieczeństwo i odpowiada za konsekwencje. Jeżeli nie zamierza lub nie jest w stanie takiej odpowiedzialności i ryzyka podjąć, nie zrozumiał instrukcji użytkownika, nie powinien posługiwać się tym sprzętem.

2. Oznaczenia części

(1) Obudowa, (2) Element łączący, (3) Śruba, (4) Oś łącząca, (5) Rózporka, (6) Zapadki, (7) Ramię, (8) Oś obrotu ramienia, (9) Kołko łączące, (10) Przyskok blokady, (11) STRING.
Materiały podstawowe: stop aluminium (obudowa, ramię), stal nierdzewna (kołko blokujące, element łączący), poliamid, poliester (tłny).

3. Kontrola, miejsca do sprawdzenia

Ważne bezpieczeństwo jest związane z niezawodnością sprzętu.
Petzl zaleca przeprowadzanie okrojonej kontroli przynajmniej raz na 12 miesięcy, przez osobę kompetentną (w zależności od prowadawstwa w waszym kraju oraz waszych warunków użytkowania). Uwaga: przy intensywnym użytkowaniu należy częściej wykonywać kontrolę waszego SOI. Należy zapisać procedur opisanych na Petzl.com. Na karcie kontrolnej waszego SOI należy zapisać rezultaty kontroli: typ sprzętu, model, nazwa i adres producenta lub dostawcy, numer seryjny lub indywidualny, data produkcji, zakupu, pierwszego użycia, następnych kontroli, wady, uwagi, nazwisko i podpis kontrolera.

Przed każdym użyciem

ASAP LOCK: sprawdź prawidłowe założenie absorbera na element łączący i dobre zakreśnięcie śruby.

Sprawdź brak sładow deformacji, pęknięć, śladów uderzeń, korozji (na korpusie, ramieniu, elemencie łączącym).

Sprawdź stan zapadki i sprawne działanie ich sprężyn.

Sprawdź stan kołka blokującego i jego skuteczność sprężyny.
Sprawdź czy kołko blokujące jest czyste i nieuszkodzone.
Uwaga: jeżeli w kółku blokującym brakuje jednego lub więcej zębów, nie używać więcej tego ASAP LOCKA.

Jeśli zęby są zabrudzone sprawdź paragraf o czyszczeniu i konserwacji.
Sprawdź czy kołko blokujące obraca się swobodnie, w obu kierunkach.
Lina powinna być wycofana, jeśli zatrzymała upekad, jeśli uszkodzony jest rdzeń lub opłot albo jeśli była w kontakcie z produktami chemicznymi, które są dla niej szkodliwe.

Podczas użytkowania

Należy regularnie kontrolować stan produktu i jego połączenie z pozostałymi elementami systemu. Upewnść się co do prawidłowej - względem siebie - pozycji elementów wyposażenia.
Uwaga na obce przedmioty mogące zakłócić działanie kołka blokującego.
Podczas pracy chronić przrząd ASAP LOCK przed zanieczyszczeniami (farba, cement,...).
Upewnścić się czy kołko blokujące jest cały czas w kontakcie z liną.

4. Kompatybilność

Należy sprawdzić kompatybilność tego produktu z pozostałymi elementami systemu w określonym zastosowaniu (patrz właściwa dla produktu instrukcja).

Uprząd:
Wpiąć absorber energii waszego przrządu ASAP LOCK, do punktu wpięcia uprzęży chroniącego przed upadkiem wysokości.

Lonża z absorberem energii:

Przrząd ASAP LOCK należy używać wyłącznie z kompatybilnymi absorberami energii Petzl, kompatybilne z normą ANSI Z359.13:
- ASAP/SØRBER 20 i 40 wersja 2019 i późniejsze.
- ASAP/SØRBER AXESS.

Absorber energii nie może być przedłużany (najwyżej jeden łącznik o maksymalnej długości 12 cm na każdym końcu).

Lina:

Przrząd ASAP LOCK używać z liną RAY 11-12 mm.

5. Zasada działania

Przy umiarkowanej prędkości rolka blokująca swobodnie obraca się w obie strony.
Podczas szybkiego ruchu w dół, obrót kołka blokującego zostaje zatrzymany, a lina blokuje się przez zaciśnięcie między kołkiem blokującym a korpusem przrządu.

6. Założenie i test działania ASAP

Przygotowanie:

Używać wyłącznie oryginalnej śruby z waszego ASAP LOCK.
Przed montażem należy nalożyć

środek zabezpieczający gwint przed odkreśnaniem.
Założyć absorber i zamknąć element łączący.
Zakreślić, sprawdzić prawidłowe ułożenie osi i zakreśnięcie śruby.

Użycie do uprzęży:
Wpiąć wyłączone łącznika OXAN TRIACT-LOCK wersja międzynarodowa z poprzeczką CAPTIV.

Instalacja: otworzyć zapadki, by wprowadzić linę do obudowy, zamknąć zapadki, by kołko blokujące wychyliło linę.
Uwaga: ASAP LOCK jest przrządem, który blokuje się tylko w jednym kierunku.
Niebezpieczeństwo śmierci, jeśli ASAP LOCK zostanie wpięty na linę odwrótnie.

Przy każdorazowym założeniu należy wykonać test działania.

Obdoblokowanie: po wykonaniu testu działania należy odblokować kołko blokujące by mogło swobodnie przesuwać się po linie.

Funkcja blokująca: użyć przyskoku blokady, by uniemożliwić przesuwanie się przrządu ASAP LOCK w dół liny.
Uwaga: w razie przypadkowego zawnięcia na zablokowanym przrządzie ASAP LOCK, nie da się go odblokować pod obciążeniem.

7. Środki ostrożności podczas użytkowania

Podczas wiązania węzła na linie istnieje możliwość zrobienia ogranicznika.

Należy regularnie sprawdzać dobre przemieszczanie się przrządu ASAP LOCK, by upewnić się, że nie powstanie pętla z luzu, która mogłaby zwiększyć wysokość potencjalnego upadku.
Maksymalna dopuszczona wysokość upadku: dwa razy długość absorbera energii (wraz z łącznikami).

Przesuwny przrząd autoasekuracyjny nie może być wpięty do więcej niż jednej liny.
Przesuwny przrząd autoasekuracyjny może być wpięty tylko do jednego użytkownika.
Oczyszczenie robocze od 130 lbs (58 kg) do 310 lbs (140 kg).
 Nie używać przesuwnego przrządu autoasekuracyjnego jeśli znajdujący się na powierzchni niestabilnej; droboziarnistej lub typu piasek, węgla.
Ociąg: przesuwać ASAP LOCK po linie, nie należy trzymać go ręką, tylko przesuwać absorberem energii.
Dynamiczne obciążenie może uszkodzić linę.
Jeżeli lina ASAP LOCKa jest obciążona, użytkownik musi zapewnić sobie dodatkowe środki bezpieczeństwa.

Użycie na powierzchni ukośnej:

Uwaga: podczas szligania się z małą prędkością, na dachu o niewielkim pochyleniu, ASAP może nie zadziałać natychmiastowo.
Należy zawiązać węzeł na linie w razie wystąpienia ryzyka uderzenia o przeszkodę.

8. Wolna przestrzeń

Ważna pozycja w stosunku do przesuwnego przrządu autoasekuracyjnego determinuje wysokość potencjalnego upadku; jeżeli znajdujące się nad przesuwnym przrządem autoasekuracyjnym - bez pętli z luzu na linie - to wysokość potencjalnego upadku jest równa dwukrotnej długości absorbera energii (wraz z łącznikami).

Wolna przestrzeń jest to minimalna wymagana odległość pod użytkownikim, by nie uderzył o przeszkodę w razie upadku.

Wolna przestrzeń zawiera:

- Wysokość upadku.
- Droge zatrzymania przrządu ASAP LOCK.
- Długość po rozdarciu absorbera energii.
- Sredni wzrost użytkownika.
- Margines bezpieczeństwa 1 m.

Wykucie liny (E) zalezy od sytuacji i musi być uwzględnione w waszych obliczeniach wolnej przestrzeni.

Więcej informacji w poradach technicznych ASAP LOCK na stronie Petzl.com

Przedstawione wartości opierają się na teoretycznych szacunkach oraz testach odpadnięć z masą sztywną.

W systemie zatrzymywania upadków należy uwzględnić długość łączników, która ma wpływ na wysokość upadku.

9. Czyszczenie, konserwacja

Chronicz mechanizm rolki blokującej przed dostaniem się do wnętrza jakiegokolwiek cieczy.
Użycie rozpuszczalnika do czyszczenia zębów rolki blokującej nie jest zalecane, niemniej możliwe jest ostrożnie jego użycie przy pomocy pędzelka, tak by uniknąć zaciśnięcia mechanizmu.

10. Dodatkowe informacje

Maksymalna odległość zatrzymania zgodnie z normą ANSI Z359.15 wynosi 11 ft (3,35 m).

- Należy przewidzieć odpowiednie sposoby ratownictwa do szybkiej interwencji w razie trudności.

- Punkt stanowiskowy powinien znajdować się nad użytkownikiem i spełniać wymagania normy EN 795 (wytrzymałość przynajmniej 12 kN).

- W systemie chroniącym przed upadkiem z wysokości, przed każdym użyciem, niezbędne jest sprawdzenie wymaganej wolnej przestrzeni pod użytkownikiem, by w razie upadku uniknąć uderzenia o ziemię lub przeszkodę.

- Sprawdzić czy punkt stanowiskowy jest prawidłowo osadzony, aby zmniejszyć ryzyko wadzenia i wysokości odpadnięcia.

- Uprząć chroniąca przed upadkiem z wysokości jest jedynym urządzeniem obejmującym ciało, które jest dozwolone do użycia w systemie chroniącym przed upadkiem z wysokości.

- Niebezpieczeń

本書では、製品の正しい使用方法を説明しています。技術や使用方法については、いくつかの例のみを掲載しています。製品の使用に関連する危険については、警告のマークが付いています。ただし、製品の使用に関連する危険の全てをここに網羅することはできません。最新の情報や、その他の補足情報等は Petzl.com を参照できますので、定期的に確認してください。警告および注意事項に留意し、製品を正しく使用する事は、ユーザーの責任です。本製品の誤った使用は危険を増加させます。疑問点や不明な点は(株)アルテリア (TEL 04-2968-3733) にご相談ください。

1.用途

本製品は個人保護用具 (PPE) です。

ASAP LOCK: ロック機能付ロープ用モバイルフォールアラステア

本製品の限界を超えるような使用をしないでください。また、本来の用途以外での使用はしないでください。

責任

警告

この製品を使用する活動には危険が伴います。

ユーザー各自が自身の行為、判断、および安全の確保についてその責任を負うこととします。

使用する前に必ず:

- 取扱説明書をよく読み、理解してください
- この製品を正しく使用するための適切な指導を受けてください
- この製品の機能とその限界について理解してください
- この製品を使用する活動に伴う危険について理解してください

これらの注意事項を無視または軽視すると、重度の傷害や死につながる場合があります。

この製品は使用方法を熟知している責任能力のある人、あるいはそれらの人から目の届く範囲で直接指導を受けられるのみ使用してください。

ユーザー各自が自身の行為、判断、および安全の確保について責任を負い、またそれによって生じる結果についても責任を負うこととします。各自で責任がとれない場合や、その立場にない場合、また取扱説明書の内容を理解できない場合は、この製品を使用しないでください。

2.各部の名称

(1) フレーム、(2) コネクションアーム、(3) ネジ、(4) 接続ピン、(5) スーパー、(6) セーフティキャッチ、(7) アーム、(8) アームの軸、(9) ジャミングローラー、(10) ロックボタン、(11) STRING
 主な素材: アルミニウム合金 (フレーム、アーム)、ステンレススチール (ジャミングローラー、コネクションアーム)、ポリエステル、ナイロン (ロープ)

3.点検のポイント

器具の状態は、ユーザーの安全に大きく関係します。ベツルは、十分な知識を持つ適任者による詳細点検を、少なくとも 12 ヶ月ごとに行うことをお勧めします (国や地域における法規や、使用状態によっても変わります)。警告: 使用頻度によっては、より頻繁に個人保護用具 (PPE) を点検する必要があります。Petzl.com で説明されている方法に従って点検してください。個人保護用具 (PPE) の点検結果を点検フォームに記録してください: 種類、モデル、製造者の連絡先、個別番号、製造日、購入日、初回使用時の日付、次回点検予定日、問題点、コメント、点検者の名前および署名。

毎回、使用前に

ASAP LOCK: アブソーバーがコネクションアームに正しく接続されていることおよびネジが適切に締められていることを確認してください。フレームおよびジャミングローラー、アーム、コネクションアームに、亀裂、傷、変形、摩耗、腐食がないことを確認してください。

セーフティキャッチの状態を確認し、スプリングが正しく機能することを確認してください。

アームが軸を中心に動くことおよびスプリングが正しく機能することを確認してください。ジャミングローラーが汚れていないこと、および歯がすり減っていないことを確認してください。警告: 歯が 1 つでも欠けている場合は、ASAP LOCK を使用しないでください。

歯が汚れている場合は、メンテナンスとクリーニングの項を確認してください。ジャミングローラーを両方向に 1 回転させ、スムーズに回転することを確認してください。

ロープ: 製造元の取扱説明に従ってロープの状態を確認してください。一度墜落を止めたロープは使用しないでください。またロープの芯が損傷している、あるいは外皮に損傷やしみがあるロープは使用しないでください。

使用中の注意点

この製品および併用する器具 (連結している場合は連結部を含む) に常に注意を払い、状態を確認してください。全ての構成器具が正しくセットされていることを確認してください。

異物により、ジャミングローラーとロープの接触やジャミングローラーの回転が妨げられないように注意してください。作業中は、ASAP LOCK を液体の飛散 (塗料、セメント等) から保護してください。ジャミングローラーが常にロープに接触していることを確認してください。

4.適合性

この製品がシステムの中のその他の器具と併用できることを確認してください (併用できる = 相互の機能を妨げない)。

ハーネス:

ASAP LOCK に取り付けけたエネルギーアブソーバーは、ハーネスのフォールアラステアアタッチメントポイントに連結してください。

エネルギーアブソーバー付ランヤード:

ASAP LOCK は、必ず併用可能な ANSI Z359.13 規格に適合したベツル製エネルギーアブソーバーを使用してください。

- ASAP SORBER 20 および 40 (2019年モデル以降)

- ASAP SORBER ACESS

エネルギーアブソーバーを延長して使用しないでください (両端にコネクター 1 個 (長さ 12 cm) を付けた長さが許容限度です)。

ロープ:

ASAP LOCK には、ロープ RAY 11-12 mm を使用してください。

5.機能の原理

適度な速度の場合、ジャミングローラーは両方向に回転します。速い速度で下方向に動くとき、ジャミングローラーの回転が止まります。ロープをジャミングローラーとフレームの間は挟んでロックします。

6.ASAP のセット方法と機能の確認

準備:

ASAP LOCK に付属のネジのみを使用してください。ネジを取り付ける前にネジロック剤を付けてください。

エネルギーアブソーバーをセットし、コネクションアームを閉じてください。ネジを締め、正しい位置に入っていることおよびしっかりと締められていることを確認してください。

ハーネスへの連結:

コネクター OXAN TRIACT-LOCK (国際規格適合バージョン) には、必ずポジショニングバー CAPTIV を併用してください。

ロープへのセット: セーフティキャッチを開き、ロープをフレーム内に通します。セーフティキャッチを閉じ、ジャミングローラーをロープに

当てます。警告: ASAP LOCK には使用できる方向があり、1 方向の動きに対してのみロックします。ASAP LOCK を上下逆向きにセットすると死につながる危険があります。

毎回セットする度に機能確認を行ってください。

ロックの解除: 機能確認をした後はロックを解除し、ロープ上を移動する元の状態に戻してください。

ロック機能: ジャミングローラーに付いているロックボタンを使うと、ASAP LOCK がロープ上で下に動かないようにロックすることができます。警告: ASAP LOCK が荷重された状態ではロックボタンを解除することはできません。

7.使用上の注意

ロープに結び目を作って、ストッパーノットとすることができません。移動中は、ロープが ASAP LOCK の中をスムーズにスライドしていることを常に確認し、ロープにたるみができないように注意してください。たるみができると潜在的な墜落距離が長くなる可能性があります。最大許容落下距離: エネルギーアブソーバーの長さの 2 倍 (コネクターを含む)。

モバイルフォールアラステアに複数のロープを接続しないでください。モバイルフォールアラステアを複数のユーザーに接続しないでください。

使用荷重: 130 lbs (58 kg) - 310 lbs (140 kg)。
 砂や石灰のような細粒材や粒状個体がある表面が不安定な場所では、モバイルフォールアラステアを使用しないでください。

ASAP LOCK をロープ上で動かすには、本体を握らず、エネルギーアブソーバーで ASAP LOCK を引くようにしてください。

動的に過度な荷重がかかると、ロープが損傷する可能性があります。ASAP LOCK のセットされたロープに荷重がかかっている場合、ユーザーは別のバックアップ用ロープを用意する必要があります。

緩傾斜地での使用:

警告: 傾斜の緩い屋根でゆっくりと滑り落ちた場合などにおいて、ASAP は直ちに作動しないことがあります。障害物に衝突する危険がある場合は、必ずロープにストッパーノットを設定してください。

8.クリアランス

潜在的な墜落距離は、モバイルフォールアラステアとユーザーとの位置関係によって決まります: ユーザーがモバイルフォールアラステアの上に位置し、ロープがたるんでいない場合、潜在的な墜落距離はコネクターを含むエネルギーアブソーバーの長さの 2 倍です。

クリアランスとは、墜落時に障害物と接触することを防ぐため、ユーザーの下に最低限確保されるべき空間のことを言います。

クリアランスの計算には以下の要素が含まれます:

- 墜落の距離
- ASAP LOCK がロックするまでの距離
- エネルギーアブソーバーの伸長
- ユーザーの身長
- 安全マージン: 1 m

ロープの伸び (E) は、状況によって変わります。これもクリアランスの計算に含めなければなりません。詳細については Petzl.com で ASAP LOCK の技術情報をご参照ください。

ここでは、理論上の計算とおもりに使用した落下試験を基に算出した数値を紹介しています。フォールアラステシステムでは、墜落距離に関係するコネクターの長さも考慮に入れてください。

9.メンテナンス、クリーニング

ジャミングローラーの内部に液体が入らないようにしてください。ジャミングローラーの歯を洗浄する際に、溶剤を使用することはお勧めしません。溶剤を使用する場合は、ブラシを使い、内部に溶剤が入らないように注意してください。

10.補足情報

ANSI Z359.15 規格による墜落を止めるまでの最大距離: 11 ft (3.35 m)。

ユーザーは、この製品の使用中に問題が生じた際に対処できるように、レスキュープランとそれに必要となる装備をあらかじめ用意しておく必要があります。

- システム用のアンカーは、ユーザーの体より上にとるようにしてください。アンカーは、最低でも 12 kN の強度を持ち、EN 795 の要求事項を満たしていなければなりません。

- フォールアラステシステムでは、墜落した際に地面や障害物に衝突することがないよう、毎回使用前に十分なクリアランスがユーザーの下に確保されていることを確認する必要があります。

- 振られによるリスクを抑え、墜落距離を短くするため、アンカーが適切な位置に設置されていることを確認してください。

- フォールアラステシステムで身体をサポートに使用できるのは、フォールアラステハーネスのみです。

- 複数の器具を同時に使用する場合、1 つの器具の安全性が、別の器具の使用によって損なわれることがあります。

- 警告: 危険: 製品がさらさらした箇所や尖った箇所ですれやすいように注意してください。

- ユーザーは、高所での活動が行える良好な健康状態にあることが必要です。警告: ハーネスを着用して動きの取れない状態のまま吊り下げられると、重度の傷害や死に至る危険があります。

- 併用する全ての用具の取扱説明書をよく読み、理解してください

- 取扱説明書は、製品と一緒にユーザーの手に届かなければなりません。また、取扱説明書は製品が使用される国の言語に訳されていない場合があります。

- 製品に記されたマーキングが読めなくならないように注意してください。

廃棄基準:

警告: 極めて異例な状況においては、1 回の使用で損傷が生じ、その後使用不可能になる場合があります (劣悪な使用環境、海に近い環境での使用、鋭利な角との接触、さらさらした面との接触、稼働中の機械との接触、感電、極端な高 / 低温下での使用や保管、化学薬品との接触等)。

以下のいずれかに該当する製品は以後使用しないでください:

- 大きな墜落を止めた、あるいは非常に大きな荷重がかかった
- 点検において使用不可と判断された。製品の状態に疑問がある
- 完全な使用履歴が分からない
- 該当する規格や法律の変更、新しい技術の発達、または他の併用に適さない等の理由で、使用には適さないと判断された

このような製品は、以後使用されることを避けるため廃棄してください。

アイコン:

A. 耐用年数 (特に設けていません) - B. 使用温度 - C. 使用上の注意 - D. クリーニング/消毒 - E. 乾燥 - F. 保管/持ち運び - G. メンテナンス - H. 改造/修理 (パーツの交換を除き、ベツルの施設外での製品の改造および修理を禁じます) - I. 問い合わせ

3年保証

原材料および製造過程における全ての欠陥に対して適用されます。以下の場合には保証の対象外とします: 通常の磨耗や傷、酸化、改造や改変、不適切な保管方法、メンテナンスの不足、事故または過失による損傷、不適切または誤った使用方法による故障。

警告のマーク

1. 重傷または死につながるおそれがあります。2. 事故や怪我につながる危険性があります。3. 製品の機能や性能に関する重要な情報です。4. してはいけない内容です。

ローサビリティとマーキング

a. 個人保護用具の規格の要求事項に適合。EU 型式検定を行った公認認証機関 - b. この個人保護用具の製造を監査する公認機関の ID 番号 - c. トレーサビリティ: データマトリクスコード - d. ロープの適合性 - e. 個別番号 - f. 製造年 - g. 製造月 - h. ロット番号 - i. 個体識別番号 - j. 規格 - k. 取扱説明書をよく読んでください - l. モデル名 - m. 最大使用荷重 - n. ANSI/ASSE 認証機関

HU

Jelen használati utasításban arról olvashat, hogyan használja felszerelését. Nem mutatunk be minden használati módot és technikát. Az eszköz használatával kapcsolatos egyes tevékenységekről az ábrák tájékoztatnak, de lehetetlen lenne valamennyi helytelen használati módot ismertetni. A termék legújabb használati módzatáiról és az ezzel kapcsolatos aktuális kiegészítő információkról tájékozódjon a Petzl.com internetes honlapon. Az új információkat rendszerint értesítésként elővadásztáról, betárolásáról és a felszerelés helyes használatáról találhatja meg a feladás. Az eszközök helytelen használata további veszélyek forrása lehet. Ha ezzel kapcsolatban kétsége vagy nehézsége támad, forduljon a Petzl-hez bizalommal.

1. Felhasználási terület

Еgynéi védőeszköz (ЕVЕ).

ASAP LOCK: kötélel szánt mobil zuhanásgátó blokkoló funkcióval

A termékkel tilos a megadott szabközjárdsárlásnál nagyobb terhelésekné kienni vagy más, a megadott felhasználási területeken kívüli célra használni.

Felhasználási terület

FIGYЕLEM

A termék használata közben végzett tevékenységek természetükből adódóan veszélyesek.

Mindenki maga felelős a saját tevékenységéért, döntéseieré és biztonságáért.

A termék használata előtt ovenkülnél szükséges, hogy a felhasználó:

- Előhassa és megértse a termékhez mellékelt valamennyi használati utasítást.
- Alapvető jogszemélyi megfeleléi oktatást kapjon.
- Alapvető megismerő képzést a termékkel afelelően és korlátait.
- Tudatában legyen a termék használatával kapcsolatos kockázatoknak, és elfogadjá azokat.

A fenti figyelmeztetések bármelyikének be nem tartása súlyos balesetet vagy halált okozhat.

A termékkel csakis képzett és hozzáértő személyek használhatják, vagy a felhasználókné legyenek folyamatosan képzést és hozzártó személyek felügyelete alatt.

Mindenki maga felelős a saját tevékenységéért, döntéseieré és biztonságáért és maga viseli a lehetséges következményeket. Ha Ön nincs abban a helyzetben, hogy ezt a felelősséget vállalja vagy ha nem értette meg tökéletesen jelen használati utasítást, kérjük, ne használja a terméket.

2. Részek megnevezése

(1) Hárk, (2) Csavaros félszem, (3) Csavar, (4) Összekötőtagely, (5) Távtartó, (6) Biztonsági gombok, (7) Kar, (8) Kar tagelye, (9) Blokkolókerék, (10) Blokkológomb, (11) STRING. Alapanyagok: alumíniumötvöztet (ház, kar), rozsdamentes acél (blokkolókerék, csavaros félszem), poliszter, poliamid (kötélek).

3. Ellenőrzés, megvizsgálásdés zrések

Felszereléséig állapotta az Ön biztonságának záloga.

A Petzl javaslója a felszerelésé alapos felülvizsgálatát kompetens személy által, legalább 12 havonta (a használat országában hatályos jogszabályok és a használat körülményeinek függvényében). Figyeljen: a használati interenzsálatól függően szükség lehet az egyéni védőeszközök felülvizsgálatára. Tartassa be a Petzl.com honlapon ismertetett ellenőrzési folyamatokat. A felülvizsgálat eredményét az EVE nyilvántartólapján kell rögzíteni: típus, modell, gyártó, egyedi azonosító vagy sorozátszám, gyártás, vásárlás és első használatbeveté dátuma, következő esedékes felülvizsgálat időpontja, hibák, megjegyzések, az ellenő neve és aláírása.

Minden egyes használatbevetél előtt

ASAP LOCK: ellenőrizze az energiaelnyelő helyes felhelyezését az összekötőtagelyre és a csavar pontjához.

Ellenőrizze, nem láthatók-e repedések, karcolások, deformációk, korrózió jelei (a házban, a blokkolókeréken, az összekötőtagelyen).

Ellenőrizze a biztonsági gombok állapotát és rugójuk működését.

Ellenőrizze a kar elfordulását a tengely körül, valamint a rugó kifogástalan működését.

Ellenőrizze a blokkolókerék tisztaságát és a fogak állapotát. Figyeljen: ha egy vagy több fog hiányzik, az ASAP LOCK-ot tilos tovább használni.

Ha a fogak közötti részek eltömődtek, tájékozódjon a Tisztítás, karbantartás c. bekezdésben.

Ellenőrizze, hogy a blokkolókerék mindkét irányban szabadon elforduljon a körbejáról.

Kötél: ellenőrizze a kötélet a gyártó utasításai alapján. A kötéleten lehet foltok, ha esést tartottak meg vele, ha a mag karcsodott/nak tönk, ha a köpöny sérült vagy foltos.

A használat során

Az eszköz állapotát és rögzítését a rendszer többi eleméhez a használat során is rendszeresen ellenőrizni kell. Győződjön meg arról, hogy a felhasználói eszközök egymáshoz képest jól helyezkednek el.

Vigyázzon, idegen testek nemoradást gyakorolhatnak a kötélen lévő blokkolókerékre és akadályozhatják annak elfordulást. Olyan az ASAP LOCK-ot a munka során a káros behatásoktól (festék, cement stb.). Győződjön meg arról, hogy a blokkolókerék mindig felülteszik a kötélre.

4. Kompatibilitás

Vizsgálja meg, hogy az eszköz kompatibilis-e a használt rendszer többi elemével (kompatibilitás = az eszközök jó együttműködése).

Beülőheveder:

Csatlakoztassa az ASAP LOCK energiaelnyelőjét a beülő zuhanás megtartására alkalmas bekötési pontjához.

Energiaelnyelővel ellátott kantárak:

Az ASAP LOCK-ot kizárólag a következő, vele kompatibilis, az ANSI Z359.13 szabványnak megfelelő Petzl energiaelnyelővel szabad használni:

- ASAP-SORBER 20 és 40 2019 és azutáné verzió.

- ASAP-SORBER ACCESS.

Az energiaelnyelő nem szabad meghosszabbítani (legfeljebb mindkét végén egy-egy, max. 12 cm hosszú összekötőelemmel).

Kötél:

Az ASAP LOCK-ot használja a RAY 11-12 mm kötéllal.

5. Működési elv

Mérsékelt sebességné a blokkolókerék mindkét irányban szabadon elfordul. Gyors lefelé irányuló mozgás esetén a blokkolókerék befelekedőzik, és a kötélmegszorul a kerék és a ház között.

6. Az ASAP kötélel helyezése és működőképeségének vizsgálata

Előkészületek:

Az ASAP LOCK eredeti csavarja használható. A használatos csavarngyűjtőt ragasztott. Helyezze be az energiaelnyelőt, majd zárja az összekötőtagelyt. Húzza meg a csavart, ellenőrizze a tengely megfelelő helyzetét és a csavar zárodását.

Beülőhöz való csatlakoztatás:

Kizárólag az OXAN TRIACT-LOCK nemzetközé verzióját használja CAPTIV áthidalóval.

Kötélel helyezése: nyissa ki az eszközt a biztonsági gombokkalé bevezetés a kötélet a házba, majd zárja a biztonsági gombokat, hogy a blokkolókerék a kötélre felekedjön.

Az ASAP LOCK csak helyes irányban kötélelre helyezve működik, és csak egyik irányban blokkol. VIGYÁZAT, az ASAP LOCK használata élevesélyes, ha fordítva van a kötélre helyezve.

Minden kötélel helyezéskor végezze el a működőképeségtétést.

Blokkolás oldása: a működőképeségtétse után a kerék blokkolását az eszköz normál elcsúsztatásával oldhatja fel.

Blokkolófunkció: az ASAP LOCK kötélen való lecsúsztatásának megakadályozására használja a blokkolókerék blokkolófunkcióját. Figyeljen: leblokkolt ASAP LOCK esetén véletlen beelésést követően az eszköz blokkolása csak tehermentesítés után lesz kioldható.

7. Övintézkedések a használat során

A kötélel csomót kötélel ütközéppont hozható létre a zuhanás megállítására.

Mozgás közben rendszeresen ellenőrizze a kötélel szabad futását az ASAP LOCK-ban, és ügyeljen arra, ne képződjön belőle hurrok a kötélen, mely az esetleges esés magasságát növelheti. Megengedéért legnagyobb esésmagasság: az energiaelnyelő hosszának kétszerese (beleértve az összekötőelemeket).

Ne csatlakoztassa a mobil zuhanásgátót egymné több kötélelhez.

Ne csatlakoztassa a mobil zuhanásgátót egymné több felhasználóhoz.

Munkaterhelés 130 font (58 kg) - 310 font (140 kg).

Ne használja a mobil zuhanásgátót, ha a felhasználó szemszék, morzsások felületeken, csak részben stabil helyeken mint pl. homok vagy szén tartózkodik vagy esés alkalmaival kereszteszét ilyen felülettel.

Az ASAP LOCK elmozdításához ne fogjon rá teljes kézzel, mozgztatására használja az energiaelnyelőt.

A dinamikus túlterhelés károsíthatja a kötélet. Ha az ASAP LOCK kötelel terhelés alatt van, a felhasználónak másik beütőkötélel kell használnia.

Használati ferde tetőn:

Vigyázzon, például nem teretked, tetőn való kis sebességgel csúszás során az ASAP nem fékez be azonnal. Ha fennlé a veszélye, hogy egy tárgynak nekélkülözik, kössön a zuhanást megállító csomót a kötélre.

8. Szabad esésér

A felhasználó elhelyezkedése a mobil zuhanásgátóhoz képest meghatározza az esés lehetséges magasságát: ha a személy a mobil zuhanásgátó fölött van és a kötélen nincs hurrok vagy békégek, a lehetséges esésmagasság az energiaelnyelő hosszának kétszerese (beleértve az összekötőelemeket).

A minimális szabad esésér a felhasználó alatt, hogy az esés során ne utközzön neki semmilyen tárgyank.

A szükséges szabad esésérrel meghatározó tényezők:

- Az esés magassága.
- Az ASAP LOCK tékaja.
- A felszakadt energiaelnyelő hossza.
- A felhasználó átlagos testmagassága.
- 1 m biztonsági távolság.

A kötély nyúlása (E sztatáció) függ és a szabad esésér kiszámításánál figyelembe kell venni. További információ a Petzl.com honlapon a technikai jótanácsok oldalán.

A megadott adatok elméleti számítás eredményeik és merev testvel való tesztelés alapján

kerületek kiszámítása.

Zuhanást megtartó rendszerben számtalásba kell venni az összekötőelemek hosszát, mert ez befolyásolja az esés magasságát.

9. Tisztítás, karbantartás

Kerülje, hogy a felületkérosító folyadékok kerüljen.

A kerék fogainak tisztításához nem ajánlott oldószert használni, de szükség esetén óvatosan, esetlel lehetőségek, amennyiben a mechanizmusba nem jut folyadék.

10. Kiegészítő információk

A maximális fektű az ANSI Z359.15 szabvány szerint: 11 láb (3,35 m).

- Legyen elérhető távolságban egy mentőfelszerelés szükség esetére.

- A rendszer kiegészítő pontja a felhasználó fejtűt helyezkedjen el és feleljen meg az EN 795 szabvány előírásainak (legalább 12 KN szaktérsőcsúszás).

- Minden zuhanást megtartó rendszerben minden használat előtt feltétlenül ellenőrizni kell a felhasználó alatt rendelkezésre álló szabad esésérrel, nehogy a felöltés ellenőrzése közben a találgán, a szerkezetnek vagy más tárgynak utközzön.

- Ügyeljen a kiképzett pontja a felhasználó megfelelő pozíciójára, hogy a kilendülés veszélyét és a lehetséges esésmagasságot minimalizálja.

- Lahanás megtartására szolgáló rendszerben kizárólag zuhanás megtartására alkalmas teljes testhevederrel használható.

- Többféle felszerelés használata esetén vesszély jelenthet, ha az egyik felszerelés biztonsági működése a másik eszköz biztonsági működéséa akadályozza.

- VIGYÁZAT, VESZÉLY: mindig ügyeljen arra, hogy felszerelésé ne érintkezzen dörzsszó felületekkel vagy éles tárgyakkal.

- A felhasználó egészségné állapota feleljen meg a magasban végzett tevékenység követelményeinek. FIGYELJEN: beülőhevederben való hosszán tartó légás esetében állapottan súlyos vagy halálos kimenetű esésveszélyekhez vezethet.

- Használat során a rendszer valamennyi elemének használati utasítását be kell tartani.

- A felhasználónak a termékek együtt a termék használati utasítását és rendelkezésére kell bocsátani a forgalomba hozás országának nyelvén.

- Győződjön meg a terméken található jelölések olvashatóságáról.

FIGYELJEN: adott esetben bizonyos körülményektől (a használat interenzsálat), a használat körzveteli feltételeit: maró vagy vegyi anyagok, tengervíz jelenléte, ékém való feltevéstől, érdes felületektől, gépek mozgó alkatrészeitől, elektronos veszélyektől, extrém hőmérsékleti viszonyoktól, vegyi anyagoktól stb.) függően a termék élettartama akár egyetlen használatra korlátozható.

A terméket le kell szelelni, ha:

- Nagy esés (vagy erőhatás) érde.
- A termék felülvizsgálatának eredményé nem kielégítő. A használat biztonságosságát illetően bármilyen kétely merül fel.

- Nem ismeri pontosan a termék elkészés használatának körülményeit.

- Használatá elavult (jogszabályok, szabványok, technikák változása vagy az újabb felszerelésekkel való kompatibilitás hiánya stb. miatt).

A leselejtett terméket semmisítse meg, hogy azt a későbbiekben se lehessen használni.

Jelmagyarázat:

A. Korlátlan élettartam - **B. Használat hőmérséklete** - **C. Övintézkedések** - **D. Tisztítás/fortéltetés** - **E. Szállítás** - **F. Tárolás/állítás** - **G. Karbantartás** - **H. Műdosítások/karjavítások** (Petzl pótalkatrészek kivételével csak a gyártó szakszervezében engedélyezett) - **I. Kérdések/kérdések**

3 év garancia

Minden gyártási vagy anyaghibára. A garancia nem vonatkozik a következőkre: normális elhasználódás, módosítások vagy háziagos javítások, helytelen tárolás, hanyagság, nem rendeltetésszerű használat.

Veszélyt jelző piktogrammok

1. Súlyos vagy halálos sérülés kockázatával járó, veszélyes szituáció. 2. Váratlan esemény vagy sérülés való veszélye. 3. Fontos információ a termék működéséről vagy használatáról. 4. Nem kompatibilis felszerelés.

Nyomon követhetőség és jelölés

a. Megfelel az egyéni védőfelszerésekre vonatkozó jogszabályoknak. EK Újparatistűlványt kiadó notifikált szervezet - b. Jelen egyéni védőfelszerelés gyártásáról ellenőrző notifikált szervezet száma - c. Nyomon követhetőség: számszór - d. Kompatibilitás kötélek - e. Egyedi azonosítószám - f. Gyártás éve - g. Gyártás hónapja - h. Szériaszám - i. Egyedi azonosítószám - j. Szabványok - k. Gyártási hely - l. Helyettesítő kód - m. Modell azonosítója - n. Maximális névleges terhelhetőség - o. Az ANSI/ASSE besoroló szervezet

RU

Эта инструкция показывает, как правильно использовать ваше снаряжение. Данная инструкция по эксплуатации представляет только некоторые правильные способы и техники использования вашего снаряжения. Предупредительные знаки информируют только о некоторых специфичеких рисках, связанных с использованием вашего снаряжения. Инструкция не описывает все возможные риски. Регулярно проверяйте сайт Petzl.com, там вы найдете последние версии данного документа и дополнительную информацию. Лично вы несете ответственность за соблюдение всех мер безопасности и за правильное использование вашего снаряжения. Неправильное использование данного снаряжения может привести к возникновению дополнительных рисков. В случае возникновения каких-либо сомнений или трудностей обращайтесь в компанию Petzl.

1. Область применения

Средство индивидуальной защиты (СИЗ).

ASAP LOCK: средство защиты от падения ползунокво типа с функцией блокировки.

Данное изделие не должно подвергаться нагрузке, превышающей предел его прочности, и использоваться в ситуациях, для которых оно не предназначено.

Ответственность

ВНИМАНИЕ
Детельность, связанная с использованием данного снаряжения, опасна по своей природе.

Лично вы несете ответственность за свои действия и решения.

Перед использованием данного снаряжения вы должны:

- Прочитать и понять все инструкции по эксплуатации.
- Осознать ответственность за использование данного снаряжения.
- Ознакомиться с потенциальными возможностями вашего снаряжения и ограничениями по его применению.
- Осознать и принять возможные риски, связанные с использованием этого снаряжения.

Игнорирование любых из этих предупреждений может привести к серьезным травмам и даже к смерти.

Перед использованием данного снаряжения вы должны:

- Прочитать и понять все инструкции по эксплуатации.
- Осознать ответственность за использование данного снаряжения, если вы не поняли инструкции по эксплуатации, не используйте данное снаряжение.

2. Составные части

(1) Корпус, (2) Скоба, (3) Винт, (4) Присоединительная ось, (5) Шайба, (6) Защелки безопасности, (7) Рычаг, (8) Ось рычага, (9) Блокировочное колесико, (10) Кнопка блокировки, (11) СТБИ (система блокировки).
Основные материалы: алюминийевый сплав (рычаг, корпус), нержавеющая сталь (скоба, запорное колесико), полистер, нейлон (анкерная линия).

3. Осмотр изделия

Ваша безопасность напрямую связана с состоянием вашего снаряжения.

Petzl рекомендует проводить плановый осмотр снаряжения компетентным лицом как минимум каждые 12 месяцев (в зависимости от местного законодательства в вашей стране, а также от условий использования снаряжения). Внимание: при высокой интенсивности использования может потребоваться чаще проводить осмотр вашего СИЗ. При плановом осмотре следуйте рекомендациям на сайте Petzl.com. Результаты планового осмотра занесите в инспекционную форму вашего СИЗ, в которой должна содержаться следующая информация: тип снаряжения, модель, контактная информация производителя, серийный или индивидуальный номер, дата изготовления, дата покупки, дата первого использования, дата следующего планового осмотра, дефекты, примечания, имя и подпись инспектора.

Перед каждым использованием

ASAP LOCK: убедитесь в том, что амортизатор установлен на оси правильно и что фиксатор затянут должным образом.

Убедитесь в отсутствии трещин, отметин, деформаций, следов износа и коррозии (на корпусе, колесике, рычаге и скобе).

Проверьте состояние защелок и эффективность работы возвратной пружины.

Убедитесь, что рычаг свободно отклоняется по оси и пружина работает правильно.

Убедитесь, что зубцы запорного колесика не загрязнены и не изношены. Внимание: если одного или нескольких зубцов не хватает, прекратите использование ASAP LOCK.

Если зубцы загрязнены, смонтируйте раздел «Чистка и обслуживание». Убедитесь в том, что колесико свободно и плавно вращается в обоих направлениях.

Анкерная линия: проверьте состояние анкерной линии, следяя инструкциями производителя. Анкерная линия должна быть отбрасована после окончания падения или если еси ее сердечник деформирован или ее оболочка повреждена или загрязнена.

Во время каждого использования

Важно регулярно следить за состоянием снаряжения и его присоединением к другим элементам системы. Убедитесь в том, что все элементы снаряжения правильно расположены друг относительно друга.

Следите за посторонними предметами: чтобы они не могли помешать блокировочному колесику правильно вращаться и блокироваться на анкерной линии. Защищайте ASAP LOCK от брызг во время работы (краска, цемент и т.д.). Убедитесь в том, что блокировочное колесико правильно прилегает к анкерной линии.

4. Совместимость

Проверьте совместимость этого снаряжения с другими элементами системы в контексте вашей задачи (совместимость означает хорошо, эффективное взаимодействие).

Привязка:
Присоедините амортизатор рышка вашего ASAP LOCK к привязи, к ее тече крепления системы защиты от падения.

Строн с амортизатором рышка:

Используйте ASAP LOCK исключительно с совместимыми амортизаторами рышка Petzl, отвечающие стандарту ANSI Z359.13.

ASAP-SORBER 20 начинается с 2019 года выпуска.

- ASAP-SORBER ACCESS.
Запрещается удлинять амортизатор рышка (монтировать один соединительный элемент (с максимальной длиной в 12 см) с каждой стороны).

Анкерная линия:

Используйте ASAP LOCK с анкерной линией RAY 11-12 мм.

5. Принцип работы

При изменении скорости движения колесико свободно вращается в обоих направлениях. При резком движении по направлению вниз вращение колесика прекращается, и канат зажимается между колесиком и корпусом устройства и тем самым блокируется.

6. Установка и функциональная проверка ASAP

Подготовка:
Используйте только оригинальный винт вашего ASAP LOCK. Перед установкой винта добвьте на него клей для резьбовых соединений.

Установите амортизатор рышка и закройте шобу. Затяните соединения и убедитесь в том, что ось расположена правильно и что винт затянут должным образом.

Присоединение к страховочной привязи:
Используйте только карабин OXAN TRIACT-LOCK версии, отвечающей международным стандартам, с перемычкой для фиксации карабина CAPTIV.

Установка: откройте защелку, чтобы установить анкерную линию в корпус устройства, затем закройте защелку, чтобы блокировочное колесико правильно прилегало к анкерной линии.

Внимание: ASAP LOCK является устройством, которое блокирует только в одном направлении. Установка ASAP LOCK в перевернутом положении представляет смертельную опасность.

Проводите функциональную проверку при каждой установке.

Разблокировка: после функциональной проверки разблокируйте колесико, чтобы устройство нормально скользило по анкерной линии.

Функция блокировки: используйте только блокировку колесика, чтобы остановить скольжение ASAP LOCK вниз по анкерной линии. Внимание: при зависании на заблокированном ASAP LOCK после срыва разблокировка не может быть произведена, пока устройство находится под нагрузкой.

7. Меры предосторожности

Для предотвращения возможного проскальзывания каната в устройстве завяжите на канате узел.

Во время движения по анкерной линии регулярно проверяйте скольжение анкерной линии в устройстве ASAP LOCK для избежания образования петли, которая может удерживать потенциально большую нагрузку. Максимальная допустимая глубина падения: две длины амортизатора рышка (включая длину соединительных элементов).

Средство защиты от падения ползунокво типа не должно быть присоединено к более чем одному канату.

Средство защиты от падения ползунокво типа не должно быть присоединено к более чем одному пользователю.

Полная нагрузка от 130 фунтов (58 кг) до 310 фунтов (140 кг).

Не используйте выше средство защиты от падения ползунокво типа, когда вы находитесь в зернистой или жидкой среде или когда существует риск падения через подобные среды.

Для перемещения ASAP LOCK по канату не держите его всей ладонью, подтяните его за амортизатор рышка.

Сильная динамичная нагрузка может повредить канат. Если канат, на котором установлен ASAP LOCK, находится под нагрузкой, пользователь должен организовать другую страховочную систему.

Использование на наклонных поверхностях:

Внимание: в некоторых ситуациях ASAP может сбросить не сразу – например, в случае падения и медленного соскальзывания по поверхности некрутой кривши. Если существует риск столкновения с препятствием, завяжите на канате узел.

8. Необходимое свободное пространство

Ваше пространство относительно средства защиты от падения ползунокво типа определяет глубину возможного падения; если вы находитесь выше средства защиты от падения ползунокво типа без слабины каната, глубина возможного падения составит две длины амортизатора рышка (включ

这份说明书将向您解释如何正确使用您的装备。这里只描述正确无误的技术和使用方法。警示标志将告知您使用该装备时的潜在危险，但并不完全详尽。请登录Petzl.com查阅更新和附加信息。您有责任阅读每一条警示且正确使用您的装备。任何错误的使用，都将造成额外危险。如果您有任何疑问或对于理解这些文件有困难的话，请联系Petzl。

1.应用范围

个人保护装备（PPE）。

ASAP LOCK:绳索移动止坠器，带有锁定功能。

使用该产品时，不可超出其负荷限制，也不可用于设计之外的用途。

责任

警告

凡涉及使用此装备的活动都具有一定危险性。

您应对个人的行动、决定和安全负责。

在使用此装备前，您必须：

- 阅读并理解全部使用指南。
- 针对其正确使用方法，进行特定训练。
- 熟悉您的装备，了解其性能及使用限制。
- 理解并接受所涉及到的危险。

一旦忽视上述任何一条警告，将有可能造成严重伤害甚至死亡。

该产品必须由有能力且负责的人来使用，或在有能力且负责的人，直接目视监督下使用。

您应对个人的行动、决定和安全负责并承担后果。如果您无法承担相关责任或无法完全理解本使用说明，那么不要使用此装备。

2.部件名称

(1) 框架，(2) U型杆，(3) 螺丝，(4) 连接轴，(5) 垫圈，(6) 安全开关，(7) 制停臂，(8) 臂轴，(9) 锁定轮，(10) 锁定钮，(11) STRING。
主要材料：铝合金（框架、制停臂）、不锈钢（锁定轮、U型杆）、聚酯、尼龙（绳索）。

3.检测、检查要点

您的安全和您装备的状态密切相关。
Petzl建议至少每12个月请专业人员进行全面检测（根据每个国家现行法规以及具体使用情况）。警告：高频率的使用会需要您更加频繁地检查您的PPE。请根据Petzl.com网站上描述的操作方式进行检查。在您的PPE检查表格中记录：类型、型号、生产商信息、序列号或独立编码、生产、购买、第一次使用和下一次检查日期，问题、评论、检查者姓名和签名。

每次使用前

ASAP LOCK：检查势能吸收器正确安装在U型杆上，并将螺丝锁紧。
检查无裂缝、刻痕、变形、磨损、腐蚀（框架、锁定轮、制停臂、U型杆上）。

检查安全开关的状况，及其回弹性。
检查制停臂是否能正常沿主轴转动，及其回弹是否有效。
检查锁定轮是否干净，以及齿齿的磨损状况。警告，如缺失一个或多个齿齿，不要使用该ASAP。

如果轮齿有污垢，请参阅保养及清洁部份。检查锁定轮是否能顺畅转动，能沿正反方向各转动一圈。

绳索：按照生产商的指示，检查绳索的状况。在制停一次坠落：如果绳芯看起来有变形或绳皮有损坏或污渍，必须废弃该绳索。

每次使用时

定期检查产品状况，以及其与系统内其他设备的连接状况，是至关重要的。确保系统内所有设备均互相正确连接。
注意可能会妨碍锁定轮轴及转动的外来物。工作时，保护您的ASAP远离喷溅物（油漆、水泥等）。确保锁定轮始终压住绳索。

4.兼容性

验证该产品在操作时与其他组件的兼容性（兼容性=良好的功能互动）。

安全带：

将ASAP的势能吸收器与安全带的防坠落挂点连接。

势能吸收器挽索：

ASAP LOCK只能使用可兼容的Petzl势能吸收器，通过ANSI Z359.13认证：

- 2019年及以后上市的ASAP'SORBBER 20和40国际型号。
- ASAP'SORBBER AXESS。

势能吸收器不能被延长（两端最多各连接一把锁扣，最长12厘米）。

绳索：

ASAP LOCK可与RAY 11-12毫米绳索配合使用。

5.功能原理

在慢速运动时，锁定轮可沿正反方向旋转。如制停臂附近发生快速运动，锁定轮停止转动，绳索被锁定轮和框架卡住不再滑动。

6.ASAP的安装及功能测试

准备：

只能使用ASAP LOCK的原装螺丝。安装前，在螺丝上涂固定胶。

安装势能吸收器，并关闭U型杆。锁紧，检查主轴是否处于正确位置，以及螺丝是否锁紧。

与安全带的连接：

只能使用带CAPTIV杆的OXAN TRIACT-LOCK国际型号连接器。

安装：打开安全开关，将绳索放到框架中，随后关闭安全开关，使锁定轮压住绳索。

警告，ASAP是单向设备，只可在一个方向上锁定。如果ASAP反向安装在绳索上，会导致死亡危险。

每次安装时，必须进行功能测试。

解锁：功能测试结束后，打开锁定轮，以使绳索正常滑动。

锁定功能：使用锁定轮的锁定按钮阻止ASAP LOCK沿绳索下滑。警告：如果在锁定的ASAP LOCK上发生意外悬挂，那么当设备受力时无法解锁。

7.使用限制

可以在绳索上打结设置一个制停点。

行进时，需经常检查绳索在ASAP内正常滑动，确保上方没有松弛的绳圈，因为松弛的绳圈会增加坠落的高度。允许使用的最大高度：势能吸收器长度的两倍（含连接器）。

移动止坠器不能连接一条以上的绳索。

移动止坠器不能连接一个以上的使用者。

有效承重：130 lbs (58公斤) 至310 lbs (140公斤)。

如果使用者位于不稳定的工作面，其表面呈颗粒状，或上面有沙子或煤块之类的固体颗粒物，不要使用移动止坠器。

在绳索上滑动移动止坠器时，不要用整只手抓住它，使用势能吸收器拉动它。

动态超载可能损坏绳索。如果ASAP的绳索已经承重，使用者必须配备另一套安全系统。

在倾斜面上的使用：

警告，例如在低角度的屋顶上慢速滑落时，ASAP也许无法立刻制动。若有碰撞到障碍物的风险，请在绳索上打一个制停结

8.净空距离

您与移动止坠器的位置决定了可能产生的坠落高度：如果您位于移动止坠器上方，绳索上没有松弛的绳圈，您的可能坠落高度为势能吸收器长度的两倍（含连接器）。

净空距离是发生坠落时使用者下方，足以防止他撞到障碍物所需要的最小距离。

净空距离考量到以下因素：

- 坠落的高度。
- ASAP的制停距离。
- 势能吸收器撕裂的长度。
- 使用者的平均高度。
- 1米的安全余量。

绳索的延展性（E）随不同情况而变化，必须加入到净空距离的计算中。

更多资讯：请登录Petzl.com网站，浏览ASAP技术资讯。

数值根据理论评估和使用硬质重物的坠落测试得出。

在一个防坠落系统中，如果连接器会影响到坠落距离，必须将连接器的长度计算进去。

9.清洁、保养

避免锁定轮结构中进入任何液体。

清洁轮齿时，不推荐使用溶剂，但可以用刷子小心使用，必须避免溶剂进入结构中。

10.附加信息

ANSI Z359.15标准规定的最大制停距离：11 ft (3,35 m)。

- 您必须制定必要的救援方案，以便遇到困难时可以迅速实施。
- 系统的固定点最好置于使用者之上，而且应符合EN 795标准（最小拉力为12kN）。

- 在止坠系统中，每次使用前都必须检查使用者下方是否留有足够的净空距离，从而避免在坠落时与地面或障碍物发生碰撞。

- 确保固定点正确放置，从而降低坠落的风险并缩短坠落距离。

- 防坠落安全带是止坠系统中唯一可用来支撑身体的装备。

- 当多个装备组合在一起使用时，一件装备的安全功能可能会影响另一件装备的安全功能，从而导致危险情况的出现。

- 危险警告：保护好您的装备，避免与粗糙面或尖锐物直接摩擦。

- 使用者的身体条件必须适合高空作业。警告：无意识地悬挂于安全带上，可能导致严重的伤害甚至死亡。

- 任何装备在与此装备一同使用时，必须严格遵守其使用说明。

- 使用说明必须以产品使用国家的语言提供给使用者。

- 确保产品上的标记清晰可见。

淘汰您的装备：

警告：一次意外事故可能导致产品在首次使用后即被淘汰，这取决于使用方式及强度、使用环境（严酷的环境、海洋环境、尖锐边缘、粗糙面、转动的机器、电击风险、极限温度、化学产品等）。

何时需要淘汰您的装备：

- 经历过严重冲击（或负荷）。
- 无法通过产品检测。您对其安全性产生怀疑。
- 您不清楚产品的全部使用历史。
- 因为法律、标准、技术或与其它装备不兼容等问题，而不得不淘汰。

销毁这些产品，以防将来误用。

图标：

A.无限制的寿命 - B.可接受的温度 - C.使用注意 - D.清洁/消毒 - E.干燥 - F.存放/运输 - G.维护 - H.改装/维修（不能在Petzl以外的地方修理，除了更换零件）- I.问题/联系

3年质保

针对材料或生产上的缺陷。例外：正常的磨损、氧化、自行改装或改良、不正确存放、欠佳的保养、使用疏忽或用于非该产品设计之用途。

警告标志

1.表示有即刻产生严重伤害或死亡风险的情况。2.表示有潜在的意外或伤害风险。3.表示产品在功能或性能方面的重要信息。4.表示装备的不兼容性。

可追溯性及标示

a.符合PPE标准的要求。进行EU测试的机构 - b.为PPE做生产检测的机构序号 - c.追踪：信息 - d.绳索兼容性 - e.独立编码 - f.生产年份 - g.生产月份 - h.序列号 - i.独立身份识别号 - j.标准 - k.仔细阅读说明书 - l.型号识别 - m.最大承重 - n.ANSI/ASSE 认证机构

본 설명서는 장비를 정확하게 사용하는 방법을 설명한다. 특정 기술 및 사용방법만을 소개한다. 사용자의 장비 사용과 관련된 잠재적인 위험에 대한 정보를 전달하나 모든 것을 설명하는 것은 불가능하다. 최신 정보 및 추가 정보는 Petzl.com을 확인한다. 각각의 경고 내용 확인 및 정확한 장비 사용은 사용자에게 책임이 있다. 장비의 오용은 추가적인 위험을 야기할 수 있다. 본 설명서를 이해하는데 어려운 점이냐 의문점이 있으면 (주) 안나푸르나로 연락한다.

1. 적용 분야

개인 보호 장비 (PPE).

ASAP LOCK: 잠금 성능을 갖는 로프용 이동식 추락 제동 장치.

본 제품은 자체 강도 이상으로 힘을 가해서는 절대 안되며 제작 용도 이외의 다른 목적으로 사용되어서는 안 된다.

책임

주의사항

이 장비의 사용과 관련된 활동은 위험성이 내재되어 있다. 자신의 행동이나 결정, 그리고 안전에 대한 책임은 사용자에게 있다.

이 장비를 사용하기 전에, 반드시 알아야 할 사항:

- 사용에 관한 모든 설명서를 읽고 이해하기.
- 장비의 적절한 사용을 위한 구체적인 훈련 받기.
- 장비의 사용법과 사용 한도에 대해 숙지하고 친숙해지기.
- 관련된 위험을 이해하고 숙지하기.

이런 경고를 유념하지 않으면 심각한 부상이나 사망을 초래할 수 있다.

이 장비는 전문가와 책임질 수 있는 사람만이 사용할 수 있고, 전문가의 직접적이고 눈으로 볼 수 있는 통솔 아래 사용되어야 한다.

행동이나 결정, 그리고 안전에 대한 책임은 사용자에게 있으며 결과물에 대해 예측할 수 있어야 한다. 모든 위험을 책임질 능력이 없거나, 그란 위치에 있지 않다면, 그리고 사용설명서를 충분히 이해하지 못했다면 본 장비를 사용하지 않는다.

2. 부분명칭

- (1) 프레임, (2) U링크, (3) 나사, (4) 연결 핀, (5) 스페이서, (6) 안전장치, (7) 팔, (8) 팔 축, (9) 잠금 바퀴, (10) 잠금 버튼, (11) STRING.

주요 재질: 알루미늄 합금 (프레임, 팔), 스테인리스 스틸 (잠금 바퀴, U링크), 폴리에스터, 나일론 (로프).

3. 검사 및 확인사항

사용자의 안전은 장비의 상태와 연관성이 있다. Petzl은 적어도 일년에 한 번 이상 전문가의 세부 검사를 받을 것을 권장한다 (사용 강도에 현재 규정과 사용자의 사용 환경에 따라 다를 것). 경고: 사용 강도에 따라 PPE를 더 자주 검사할 수 있다. 웹사이트 Petzl.com에 설명된 절차를 따른다. PPE 장비 서식에 유형, 모델, 제조자 정보, 일련번호 또는 개별 번호, 제조일, 구매일, 최초 사용일, 검사 내용, 문제점, 검사관의 이름 및 서명 등의 PPE 검사 결과를 기록한다.

매번 사용 전에

ASAP LOCK: 충격 흡수 장치가 U링크에 정확하게 설치되었는지 확인하고 나사를 적절히 조였는지 체크한다.

프레임, 바퀴, 팔, U링크에 갈라짐, 변형, 부식이 없는지 확인한다.

안전 장치의 상태를 확인하고 회수 스프링이 제대로 작동하는지 확인한다.

팔이 축을 중심으로 회전하는지 스프링이 제대로 작동 회수 되는지 확인한다. 잠금 바퀴가 깨끗한지 톱니가 마모는 없는지 확인한다. 경고: 한 개 이상의 톱니가 유실된 경우, ASAP LOCK의 사용을 중단한다.

톱니가 더러워졌을 경우 보수와 세척 부분을 참조한다. 잠금 바퀴가 양쪽으로 완벽하게 돌아가는지 그리고 부드럽게 회전하는지 확인한다.

로프: 제조 업체의 지침에 따라 로프의 상태를 확인한다. 추락을 경험하거나, 속실에 변형이 생기거나, 표피가 손상 및 오염된 경우 로프를 반드시 폐기한다.

사용 도중

제품의 상태와 장비에 연결된 다른 장비와의 연결 부분을 정기적으로 검사하는 것이 매우 중요하다. 장비에 연결된 모든 아이템들이 잘 연결되어 정확한 위치에 놓여 있는지 확인한다. 잠금 바퀴가 로프에 눌러거나 돌아가는 것을 방지하기 위하여 이물질이 있는지 확인해야 한다. 작업 중 스포클레로부터 ASAP LOCK을 보호한다(페인트, 시멘트...). 잠금 바퀴가 항상 로프에 물리지는지 확인한다.

4. 호환성

본 제품이 사용자 다른 장비와 호환 되는지 확인한다 (호환이 된다 = 순기능적 상호작용).

안전벨트:

ASAP LOCK의 충격 흡수 장비를 사용자의 안전벨트의 추락 제동 연결 지점에 연결한다.

충격 흡수용 랜야드:

ASAP LOCK은 오로지 ANSI Z359.13 표준에 인증된 호환 가능한 Petzl 충격 흡수 장비와만 함께 사용한다.

- ASAP · SORBER 20 및 40 (2019년 및 그 이후 버전).

- ASAP · SORBER AXESS.

충격 흡수 장비를 확장하지 않는다 (각각의 끝에 최대 1개의 카라비너 (최대 12cm 길이)).

로프:

ASAP LOCK은 RAY 11-12 mm 로프와 함께 사용한다.

5. 작동 원리

잠금 바퀴는 원만한 속도로 양쪽 방향으로 자유롭게 회전한다. 빠른 속도의 하향 이동은, 잠금 바퀴의 회전을 중단하고 로프가 바퀴와 프레임이 사이에서 조여지면서 잠기게 된다

6. ASAP 설치, 및 기능 테스트

준비:

ASAP LOCK의 본래의 나사만을 사용한다. 조립 전에 나사를 잠근다.

충격 흡수 장비를 설치하고 U링크를 닫는다. 단단히 조이고 축의 정확한 위치와 나사의 조임 상태를 확인한다.

안전벨트에 연결하기:

OXAN TRIACT-LOCK 연결장비(국제 버전)는 오직 CAPTIV 바와 함께 사용한다.

설치: 로프를 프레임에 위치하기 위해 안전 장치를 열고 로프 상에서 잠금 바퀴가 물리도록 나사를 닫는다.

경고, ASAP LOCK 장비는 방향성 장비이며 한 쪽 방향으로만 잠긴다. ASAP LOCK이 로프상에서 반대 방향으로 위치하면 사망의 위험이 있다.

설치 시 성능 테스트를 수행한다.

잠금해제: 성능 테스트 이후, 장비가 로프상에서 미끄러질 수 있도록 바퀴를 풀어준다.

잠금 성능: 로프상에서 ASAP LOCK이 아래로 이동하지 않도록 바퀴의 잠금 버튼을 사용한다. 경고: 잠겨진 ASAP LOCK에서

우발적으로 매달리게 된 경우, 하중 하에서 잠금이 풀리지 않는다.

7. 사용시 주의사항

로프에 매듭을 묶어 트레블-스탑 (travel-stop)을 만들 수 있다. 진행 도중에, 로프가 느슨해져 잠재적인 추락 거리를 증가시킬 수 있는 상황을 방지하기 위하여, 로프가 ASAP LOCK에서 적절하게 움직이는지 정기적으로 확인한다. 최대 허용 추락 거리: 충격 흡수 장치 길이의 두 배 (연결장비 포함).

이동식 추락 제동 장치는 둘 이상의 로프에 연결되어서는 안된다.

이동식 추락 제동 장치는 한 명 이상의 사용자와 연결되어서는 안된다.

130 lbs (58 kg) to 310 lbs (140 kg)의 작업 하중. 사용자가 불안정한 표면, 미세 입자 물질 또는 모래 또는 석탄과 같은 미립자 고형물에 위치해 있을 때, 이동식 추락 제동 장치를 사용하지 않는다.

로프를 따라 ASAP LOCK을 움직이기 위해서는, 손 전체를 이용하여 잡지 않고, 충격 흡수 장치를 사용하여 잡아 당긴다. 동적 초과하중은 로프를 손상시킬 수 있다. 만일 ASAP LOCK의 로프에 하중이 실리면, 사용자는 반드시 또 다른 백업 시스템을 장착해야 한다.

경사면에서의 사용:

경고: 예를 들어 낮은 각도의 지붕에서 천천히 미끄러지는 경우, ASAP이 즉시 활성화되지 않을 수 있다. 장애물에 부딪힐 위험이 있다면, 반드시 스톱퍼 매듭을 로프에 묶는다.

8. 이격 거리

이동식 추락 제동 장치를 기준으로 사용자의 위치가 잠재적인 낙하 거리를 결정한다: 만약 사용자가 이동식 추락 제동 장치보다 위에 위치하여 있다면 - 로프가 느슨하지 않는 경우 - 잠재적 낙하 거리는 충격 흡수 장치 길이의 두배이다 (연결장비 포함).

이격 거리는 추락 시 사용자가 장애물에 충돌하는 것을 방지하기 위해 필요한 추락 제동 장비 최하의 거리를 나타낸다.

이격 거리에는 다음의 내용이 고려된다.

- 추락 거리:
- ASAP LOCK의 정지 거리.
- 충격 흡수 장비의 인열 길이.
- 사용자의 평균 신장.
- 안전을 위한 1m의 여유 공간.

로프의 탄성은 (E) 상황에 따라 달라지며 이격거리 계산에 포함시켜야만 한다.

더 자세한 설명은 Petzl.com에서 ASAP LOCK 기술 팁을 참고한다. 평기된 값은 단단한 물체를 사용한 추락 테스트와 이론상 평가치에 근거한 것이다.

추락 방지 장치를 설치하는 경우, 추락 거리에 영향을 미칠 수 있는 연결장비의 길이를 고려한다.

9. 세척 및 보관

잠금 바퀴 시스템을 어떤 액체도 들어가지 않도록 주의한다.

잠금 바퀴 세척시, 일반적으로 용제 사용은 권장되지는 않으나 브러시를 사용하여 용제가 장비 안쪽으로 들어가지 않도록 주의를 기울여 사용할 수 있다.

10. 추가 정보

ANSI Z359.15 표준에 따른 최대 추락 제동 거리: 11 ft (3.35 m).

- 장비 사용 도중에 우연히 부딪치게 될 위험에 대비하여, 반드시 신중하게 이행할 수 있는 구조 계획과 방법을 가지고 있어야 한다.

- 장치의 확보 지점은 사용자 위치보다 위에 설치되어야 하고, 반드시 EN 795 규정의 요건을 충족해야 한다 (최소강도 12 kN).

- 추락 제동 시스템에서, 매번 사용 전 지면에 충돌하거나 추락 시 방해물을 피하기 위해 사용자 아래로 필요한 이격거리를 확인하는 것은 필수이다.

- 움직이는 도중 발생하는 위험 및 추락 높이를 줄이기 위해 확보 지점이 정확히 위치하고 있는지 확인한다.

- 추락 제동 안전벨트는 추락 제동 시스템에서 사용자의 신체를 지탱하는 장비로만 사용된다.

- 여러 개의 장비를 함께 사용할 때 한 가지 장비의 안전 성능이 다른 장비의 작동과 연관되어 있다면 위험한 상황을 불러올 수 있다.

- 경고 - 위험: 장비가 거칠거나 날카로운 표면에 마찰되지 않도록 주의한다.

- 사용자는 고소 활동시 신체적 문제가 없어야 한다. 경고: 안전벨트에서 자력으로 행동할 수 없는 상태로 매달리는 것은 심각한 부상 또는 사망을 초래할 수 있다.

- 이 제품과 함께 사용되는 각 장비의 사용 설명서에 반드시 따른다.

- 본 제품의 사용설명서는 장비가 사용되는 국가의 언어로 제공되어야만 한다.

- 제품의 마킹은 알아볼 수 있는 상태여야 한다.

장비 폐기 시점:

경고: 제품의 수명은 제품의 형태, 사용 강도 및 사용 환경에 따라 단 한번의 사용으로도 줄어들 수도 있다 (거친 환경, 고습 환경, 날카로운 모서리, 극한의 기온, 화학 제품 등).

다음과 같은 상태에서는 제품 사용을 중단한다.

- 심한 추락이나 하중을 받은 적이 있는 경우.

- 검사에 통과하지 못한 경우. 장비의 보전상태가 의심되는 경우.

- 장비에 대한 기록을 전혀 모를 경우.

- 적용 규정, 기준, 기술의 변화 또는 다른 장비와 호환되지 않는 경우 등.

이러한 장비가 다시 사용되는 일이 없도록 폐기할 것.

표기:

A. 무제한 수명 - B. 허용 온도 - C. 사용 주의사항 - D. 세탁/살균 - E. 건조 - F. 보관/운반 - G. 제품 관리 - H. 수리/수선 (Petzl 외부 시설에서는 부품 교체를 제외한 수리가 금지된다.)

- I. 문의사항/연락

3년간 보증

원자재 또는 제조상의 결함에 대해 3년간의 보증기간을 갖는다. 제외: 일반적인 마모 및 찢김, 산화, 제품 변형 및 개조, 부적절한 보관, 올바르게 사용하지 않는 유지 관리, 사용상 부주의, 제작 용도 이외의 사용 등.

주의 사항

1. 심각한 부상 또는 사망의 갑작스런 위험이 존재하는 상황. 2. 사고 또는 부상의 잠재적인 위험에 노출. 3. 사용자의 장비의 성능 및 작업 수행에 대한 중요한 정보. 4. 장비 비호환성.

추적 가능성과 제품 부호

a. PPE 규정의 요구 사항을 충족한다. EU 유형 시험 수행 기관 - b. 본 PPE의 생산 관리를 수행하는 인증 기관의 번호 - c. 추적 가능성: 데이터 매트릭스 - d. 로프 호환성 - e. 일련 번호 - f. 제조 년도 - g. 제조월 - h. 배치 번호 - i. 개별 식별번호 - j. 기준 - k. 사용 설명서를 주의깊게 읽는다 - l. 모델 식별 - m. 최대 하중 - n. ANSI / ASSE 인증 기관

В тази листовка е обяснено как правилно да използвате средството. Представени са само някои методи и начини на употреба. Предупредителни надписи ви информират за потенциални рискове, свързани с употребата на средствата, но не е възможно да бъдат описани всички. Следете редовно актуализацията и допълнителната информация на страницата Petzl.com. Вие носите отговорност за спазването на всяко предупреждение и за правилното използване на средството. Всяко неправилно действие при използване на средството ще доведе до допълнителен риск. Свържете се с Petzl, ако имате съмнения или затруднения да разберете нещo.

1. Предназначение

Лично предпазно средство (ЛПС).

ASAP LOCK: спирачно устройство за въже с функция за застопоряване.

Този продукт не трябва да се използва извън неговите възможности или в ситуация, за която не е предназначена.

Отговорност

ВНИМАНИЕ

Дейностите, изискващи употребата на това средство, по принцип са опасни. Вие носите отговорност за вашите действия, решения и за вашата безопасност.

Преди да започнете да употребявате това средство, трябва:

- Да прочетете и разберете всички инструкции за употреба.
- Да научите специфичните за средството начини на употреба.
- Да се усъвършенствате в работа със средството, да познавате качествата и възможностите му.
- Да разберете и осъзнаете съществуващия риск.

Неспазването дори на едно от тези предупреждения може да доведе до тежки, дори смъртоносни травми.

Този продукт трябва да се използва или от компетентни и добре осведомени лица, или работещия с него трябва да бъде под непосредствен зрителиен контрол на такова лице. Вие носите отговорност за вашите действия, решения и за вашата безопасност и вие ще поемете последиците. Ако не сте в състояние да поемете тази отговорност или не сте разбрали добре указанията за употреба, не използвайте това средство.

2. Номерация на елементите

(1) Корпус, (2) Стъга, (3) Болт, (4) Ос, (5) Втулка, (6) Ключалка, (7) Лост, (8) Ос на лоста, (9) Блокираща ролка, (10) Бутон за застопоряване, (11) STRING.
Основни материали: алуминиева сплав (корпуса, лоста), неръждаема стомана (ролката, стъгата), полиестер, полиамид (въжетата).

3. Контрол, начин на проверка

Вашата безопасност зависи от състоянието на средствата.

Петzl препоръчва задълбочена проверка от компетентно лице най-малко веднъж на всеки 12 месеца (в зависимост от действащите в страната наредби и от начина и условията на употреба). Внимание: ако използвате ЛПС интензивно, може да се наложи по-често извършване на проверки. Спазвайте указанията за проверка, посочени на Petzl.com. Запишете резултатите от проверката в паспорта на ЛПС: тип, модел, данни за производителя, сериен или индивидуален номер, датите на производство, покупка, първа употреба, следваща периодична проверка, дефекти, забележки, име и подпис на инспектора.

Преди всяка употреба

ASAP LOCK: проверете дали правилно е закачен абсорберът към стъгата и дали болтът е стегнат.

Проверявайте за пукнатини, белези, деформации, износване, корозии (по корпуса, ключалката, лоста, стъгата).

Проверете състоянието на ключалките и функционирането на пружините. Проверете завъртането на лоста около оста, както и ефикасността на пружината. Проверете дали е чиста ролката и дали не са износени зъбите. Внимание: ако липсват един или повече зъби, не използвайте повече този ASAP LOCK. Ако зъбите са замянени, почете ги както е посочено в параграф "Поддържане, почистване". Проверете дали ролката се върти плавно без тласъци при едно пълно завъртане в двете посоки. **Въжето:** проверете състоянието на въжето съгласно указанията на производителя. Въжето трябва да се сменя, ако е поново падане, ако сърчевината е деформирана, ако бронята е протрита или по нея има някакви петна.

По време на употреба

Важно е да следите редовно за състоянието на продукта и връзката му с останалите средства от системата. Уверете се, че отделните средства са правилно разположени едно спрямо друго.

Внимавайте за чужди тела, които могат да попречат на движението на ролката по въжето. Защитете уреда ASAP LOCK от пръски по време на работа (от боя, цимент и др.). Следете блокиращата ролка винаги да е в контакт с въжето.

4. Съвместимост

Проверете съвместимостта на този продукт с останалите елементи от системата при всякия начин на приложение (съвместимост = правилно функциониране на елементите).

Предпазен колан:

Заканете погълщателя на енергия на уреда ASAP LOCK към точката на сбруята, предназначена за системи срещу падане.

Ремък с погълщател на енергия:

Използвайте уреда ASAP LOCK само със съвместимите погълщатели на енергия на Petzl, сертифицирани съгласно стандарт ANSI Z359.13:
– ASAP-SORBER 20 и 40 версия 2019 или по-късна.
– ASAP-SORBER AXESS.

Погълщателят на енергия не трябва да бъде удължаван (не повече от един карабинер с макс. дължина 12 cm на всеки край).

Въже:

Използвайте ASAP LOCK с въже RAY 11-12 mm.

5. Начин на функциониране

При движение с умерена скорост блокиращата ролка се върти свободно в двете посоки. При рязко движение надолу ролката спира да се върти и въжето се притиска и застопорява между ролката и корпуса на уреда.

6. Поставяне и проверка на функционирането на уреда ASAP

Подготовка:

Използвайте само оригиналния болт на вашия ASAP LOCK. Преди монтажа намажете болта с уплътнител за резби.

Поставте погълщателя на енергия и затворете стъгата. Стегнете, проверете дали оста е центрирана и дали болтът е добре стегнат.

Заканане за предпазна колан:

Използвайте само съединител OXAN TRIACT-LOCK интернационална версия с преграда SARTIV.

Инсталация: отворете ключалките, за да поставите въжето в уреда, после ги затворете, за да зацепва ролката върху въжето.

Внимание: уредът ASAP е еднопосочен, той блокира само в едната посока. Съществува смъртоносна опасност, ако ASAP се постави върху въжето на обратно.

При всяка употреба проверявайте как работи уредът.

Освобождаване: след теста за проверка на застопоряването, освободете ролката, за да започне да се върти нормално по въжето.

Функция за застопоряване: използвайте бутона за блокиране на ролката, за да изключите движението на уреда ASAP LOCK надолу. Внимание: ако е имало инцидентно падане върху ASAP LOCK в застопорено положение, освобождаването на уреда не може да стане, ако е натоварен.

7. Предупреждения при употреба

Може да се направи възел на въжето, за да спре движението на уреда.

Когато се качавате или спускате, постоянно следете как се движи уреда ASAP LOCK - въжето не трябва да провисва, защото това ще увеличи височината на едно потенциално падане. Максимално допустима височина на падане: два пъти дължината на погълщателя на енергия (заедно със съединителите).

Спирачното устройство трябва да бъде закачено само към едно въже. Спирачното устройство трябва да бъде закачено само към един ползвател. Ползвен товар от 130 lbs (58 kg) до 310 lbs (140 kg).

Не използвайте спирачното устройство, когато се намирате върху зърнеста или течна повърхност или когато има риск да паднете през такава повърхност.

За да преместите уреда ASAP LOCK по въжето, не го квацайте с цяла ръка, а го дръпнете с погълщателя на енергия.

Едно връхъ голямо динамично натоварване може да повреди въжето. Ако въжето на средството ASAP LOCK е натоварено, потребителят трябва да намери друго въже, което да използва за обезопасяване.

Употреба върху наклонени повърхности:

Внимание, при подхлъзване и падане с малка скорост например върху не много стръмен покрив устройството ASAP може да не блокира ведната. Трябва да направите застопоряващ възел на въжето, ако има опасност работещият да се удари в някое препятствие.

8. Свободно пространство

Вашата позиция по отношение на спирачното устройство определя височината на потенциалното падане: ако се намирате над спирачното устройство, без да има провиснало въже, височината на потенциалното падане ще бъде колкото два пъти дължината на погълщателя на енергия (заедно със съединителите).

Свободното пространство е минимално свободно разстояние, необходимо, за да не се удари ползвателят в някое препятствие в случай на падане.

Свободното пространство включва:

- Височината на падане.
 - Спирания път на уреда ASAP LOCK.
 - Дължината на разпорената лента на погълщателя на енергия.
 - Ръста на ползвателя.
 - 1 m марж за застръхване.
- Удължението на въжето (a) варира според ситуацията и трябва да бъде включена в изчисляването на свободното пространство. За допълнителна информация вижте техническите указания за уреда ASAP LOCK на страницата Petzl.com.

Посочените стойности се основават на теоретични изчисления и изпитания при падане на твърдо тяло.

В една система с елементи срещу падане трябва да се вземе предвид и дължината на карабинерите, която също оказва влияние на височината на падане.

9. Почистване, поддържане

Избягвайте всякакво проникване на течност в механизма на блокиращата ролка. За почистване на зъбите на ролката не се препоръчва използване на разредител, може обаче да калвате внимателно по малко с калкомер, за да избегнете проникване на течността в механизма.

10. Допълнителна информация

Максимална дължина на спирания път съгласно стандарт ANSI Z359.15: 11 ft (3,35 m).

- Предвидете необходимите спасителни средства за извършване на незабавна акция в случай на проблем.

- Препоръчително е точката на закрепване на системата да се намира над ползвателя и да отговаря на изискванията на стандарт EN 795 (минимална якост 12 kN).

- Преди всяко инсталиране на една система с елементи срещу падане от височина трябва да се провери свободното пространство под ползвателя, за да не се удари в земята или в някое препятствие в случай на евентуално падане.

- Внимавайте точката за закрепване да бъде правилно позиционирана, за да се намали риска от падане с махало, както и височината на падането.

- Предпазният колан срещу падане е единственото средство, което трябва да се използва за обезопасяване на тялото в една система, спираща падане от височина.

- При употреба на няколко предпазни средства може да възникне рискова ситуация, ако правилното функциониране на дадено средство попречи на правилното функциониране на друго.

- **ВНИМАНИЕ** - ОПАСНО: следете средствата да не се трият в абразивни материали или режещи елементи.

- При извършване на работа на височина е необходимо работещите да се в добро здравословно състояние. **ВНИМАНИЕ:** неподвижно кисящо положение в предпазния колан може да доведе до тежки физиологични нарушения или фатален изход.

- Спазвайте описаните в листовките инструкции за употреба, които са прикачени към всеки един продукт.

- Инструкциите за употреба трябва да бъдат предоставени на потребителите преведени на езика на страната, в която се използва средството.

- Проверете дали маркировката върху продукта е четлива.

Бракуване на продукта:

ВНИМАНИЕ: някое извънредно събитие може да доведе до бракуване на даден продукт само след еднократно използване (в зависимост от вида и интензивността на употребата, средата, в която се ползва: агресивна среда, морска среда, остри ръбове, абразивна повърхност, ротативни машини, риск от високо напрежение, екстремни температури, химически вещества...).

Един продукт трябва да се бракува, когато:

- Понесъл е значителен удар (или натоварване).
- Резултатът от проверката на продукта е незадоволителен. Смянвяте се в неговата надеждност.
- Имате информация как е бил използван преди това.
- Той е морално остарял (поради промяна в законодателството, стандартите, методите на използване, несъвместимост с останалите средства...).

Унищожете тези продукти, за да не се употребяват повече.

Пиктограми:

A. Неограничен срок на годност - **B.** Позволен температура - **C.** Предупреждения при употреба - **D.** Почистване/дезинфекция - **E.** Сушене - **F.** Съхранение/транспорт

- **G.** Поддръжка - **H.** Модификации/ремонти (забранени са някои сервизите на Petzl с изключение на подмяна на резервни части) - **I.** Въпроси/колант

Гаранция 3 години

Отнася се до всякакви дефекти в материалите или при производството. Гаранцията не важи при: нормално износване, окисляция, модификации или ремонти, лошо съхранение, лошо поддържане, употреба на продукта не по предназначение.

Табела за безопасност

1. Ситуация с голям риск от тежко нараняване или фатален изход. 2. Ситуация с опасност от възможен инцидент или нараняване. 3. Важна информация относно начина на функциониране или спецификацията на продукта. 4. Несъвместимост на средствата.

Контрол и маркировка

a. Отговаря на изискванията на регламента за ЛПС.
Нотифициран орган за извършване на ЕС изследване на типа - b. Номер на нотифициран орган, контролиращ производството на това ЛПС - c. Контрол: основни данни - d. Съвместимост с въжета - e. Индивидуален номер - f. Година на производство - g. Месец на производство - h. Номер на партията - i. Индивидуална идентификация - j. Стандарти - k. Прочетете внимателно техническите указания - l. Идентификация на модела - m. Максимален работен товар - n. Сертифициращ орган по ANSI/ASSE.

คู่มือการใช้งานนี้ อธิบายให้ทราบถึงวิธีการใช้อุปกรณ์อย่างถูกต้อง ใ้ระข้อมูลทางเทคนิคและการใช้งาน เครื่องหมายคำเตือน ไ้บอกให้ดูทราบถึงอันตรายบางส่วนของอาจเกิดขึ้นจากการใช้งานของอุปกรณ์ แต่ไม่อาจบอกได้ทั้งหมด คว้าเช็คที่ Petzl.com เพื่อหาข้อมูลเพิ่มเติมล่าสุด เป็นความรับผิดชอบของคุณในการระมัดระวังต่อคำเตือนและการใช้อุปกรณ์อย่างถูกต้อง ข้อผิดพลาดในการใช้อุปกรณ์จะทำให้เกิดอันตราย คิดคือ Petzl หรือตัวแทนจำหน่ายที่มีชื่อเสียง หรือไม่เข้าใจขอความในคู่มือนี้

1. ส่วนที่เกี่ยวข้องกัน

อุปกรณ์นี้เป็นอุปกรณ์ป้องกันภัยส่วนบุคคล (PPE)

ASAP LOCK ตัวขึ้นยังการตกแบบเคลื่อนที่ที่ไ้ สำหรับใช้งานกับเชือก ด้วยระบบล๊อคในตัว

อุปกรณ์นี้จะต้องไม่ใช้รับน้ำหนักเกินกว่าที่ระบุไว้หรือไม่ไปใช้ในวัตถุประสงค์อย่างอื่นนอกเหนือจากที่ได้ออกแบบมา

ความปลอดภัยขอ

คำเตือน

กิจกรรมที่เกี่ยวข้องกับการใช้อุปกรณ์นี้ เป็นสิ่งที่เป็นอันตราย

ผู้ใช้อาจมีความรับผิดชอบต่อการกระทำที่การตัดสินใจและความปลอดภัย

ก่อนการใช้อุปกรณ์นี้ จะต้อง

- อ่านและทำความเข้าใจคู่มือการใช้งาน
- การศึกษาโดยละเอียดเพื่อการใช้งานที่ถูกต้อง
- ทำความคุ้นเคยกับความสามารถและข้อจำกัดในการใช้งานของมัน
- เข้าใจและยอมรับความเสี่ยงที่เกี่ยวข้อง

การขาดความรู้และประสบการณ์และระดับของข้อมูลนี้ อาจมีผลให้เกิดการบาดเจ็บสาหัสหรืออาจถึงแก่ชีวิต

อุปกรณ์นี้จะต้องถูกใช้งานโดยผู้ที่มีความสามารถเพียงพอและมีควมรับผิดชอบหรือใช้ในสถานที่ที่อยู่ในความรับผิดชอบโดยตรงหรือควบคุมได้โดยผู้เชี่ยวชาญ เป็นความรับผิดชอบของผู้ใช้งานคู่อธิการ ใช้ การตัดสินใจในความปลอดภัย และยอมรับในผลที่เกิดขึ้นจากวิธีการนั้น ในการใช้ของอุปกรณ์นี้คุณไม่สามารถ หรือไม่อยู่ในสถานะที่จะรับผิดชอบต่อความเสี่ยงที่จะเกิดขึ้นหรือไม่เข้าใจขอความในคู่มือการใช้งาน

2. ชื่อของส่วนประกอบ

- (1) โครงร่าง (2) แขนยึดรูปตัวยูและระดับด้วยน็อต (3) สกรู (4) ลิ่มยึดลิด (5) ตัวกันระยะ (6) ตัวจับนิริกซ์ (7) แขน (8) แกนยึดแขน (9) ตัวล๊อคกลมหมุน (10) ปุ่มล๊อค (11) STRING

วัสดุหลักที่ไ้ผลิต อลูมิเนียมอัลลอยด์ (เฟรม แขนยึด) สแตนเลส (ตัวล๊อคกลมหมุน แขนยึดรูปตัวยู โพลีเอสเตอร์ ไ้ล่อน (เชือก)

3. การตรวจสอบ จุดตรวจสอบ

ความปลอดภัยของคุณขึ้นอยู่กับความสมบูรณ์ของอุปกรณ์ของคุณ Petzl แนะนำให้ตรวจสอบเช็ครายละเอียดของอุปกรณ์ โดยผู้เชี่ยวชาญ อย่างน้อยทุก 12 เดือน (ขึ้นอยู่กับขนาดของประเภทและสภาพการใช้งาน) คำเตือน การใช้งานอย่างเข้มข้น อาจเป็นสาเหตุที่ไ้ให้ผลของทั้งการตรวจสอบเช็คอุปกรณ์ PPE ด้วยความถี่มากขึ้น ทำตามขั้นตอนที่แสดงไว้ที่ Petzl.com บันทึกผลการตรวจสอบเช็ค PPE ลงในแบบฟอร์มการตรวจสอบเช็ค ชนิด รุ่น หมายเลขของโรงงานผู้ผลิต หมายเลขลำดับการผลิต หรือหมายเลขกำกับอุปกรณ์ วันที่ของการผลิต วันที่สั่งซื้อ วันที่ใช้งานครั้งแรก กำหนดการตรวจสอบเช็คครั้งต่อไป ปัญหาที่พบ ความคิดเห็น ข้อของหรือตรวจสอบเช็คพร้อมลายเซ็น

ก่อนการใช้งานแต่ละครั้ง

ASAP LOCK ตรวจสอบเช็คเชือกสั้นนิริกซ์ว่า ไ้ลิดยึดกับแกนยึดด้วย อย่างถูกต้อง และสรุติยึดติดอย่างแน่นหนาดีแล้ว

ควรวีเช็คว่ามีรอยแตกร้าว รอยบาก สึกปรุงงา สึกกร่อน มีสนิมกัดกร่อน (บนโครงร่าง ล้อ แขน แขนยึดรูปตัวยู)

ตรวจสอบสภาพของตัวจับนิริกซ์ ว่าการสปริงตัวกลับทำงาน ได้ตามปกติ ควรวีเช็คว่าแกนยึดหมุนรอนแกน และตรวจสอบว่าการสปริงตัวกลับทำงาน ได้ตามปกติ ควรวีเช็คว่ากลลอมมีสภาพสมบูรณ์ และไม่มีร่องรอยของฟันสึกกร่อน คำเตือน ถ้าเห็นชำรุดหรือหลุดหายไปเพียงหนึ่งหรือมากกว่าบนใช้งาน ASAP LOCK นั้น ถาฐานของฟันสึกปรก ให้อ่านดูจากขอความเกี่ยวกับการดูแลและทำความปลอดภัย ตรวจสอบว่าแกนยึดกลลอมหมุนวน ได้โดยอิสระระบอบของการหมุนทั้งสองทิศทาง เชือก ตรวจสอบสภาพของเชือก โดยทำตามคู่มือคั้งแนะนำของโรงงานผู้ผลิต เชือกจะคงถูกเลิกใช้หากมีการกล ฉกแกนเชือกมีการผลิตปกติ หรือปลอดภัยเสียหายหรือมีรอยประปรือ

ระหว่างการใช้งาน

เป็นเรื่องสำคัญอย่างยิ่งที่ตรวจสอบสภาพของอุปกรณ์อยู่เป็นประจำ และการล่อเชื่อมอุปกรณ์เข้ากับอุปกรณ์ตัวอื่นในระบบ แนะนำว่าทุกชิ้นส่วนของอุปกรณ์อยู่ในตำแหน่งที่ถูกต้องกับชิ้นส่วนอื่น ระวังสิ่งแปลกปลอมซึ่งอาจขัดขวางการทำงานของระบบล๊อคกลลอกจากการลิดยึดกับเชือก หรือจากการหมุน ป้องกันASAP LOCK จากการกระเด็นประปรือในขณะใช้งาน (ทาลี ซิมเนล ฯลฯ) แนะนำว่าตัวล๊อคกลลอมทำงานด้วยดีบนเชือกตลอดเวลา

4. ความเข้ากันไ้

ควรวีเช็คว่าอุปกรณ์นี้ สามารถใช้งานเข้ากัน ได้กับอุปกรณ์อื่นในระบบ (เข้ากัน ได้ไ้ = ใช้งานควบกันไ้ โดยไ้ผลิตขัด)

สายรัดสะโพก

อดีตยึดเชือกสั้นนิริกซ์ของ ASAP LOCK เข้ากับจุดยึดขั้วยังการตกที่สายรัดสะโพก

เชือกสั้น-นิริกซ์สำหรับดูดซับแรง

ใช้ ASAP LOCK เฉพาะกับเชือกสั้นดูดซับแรงกระชาก PETZL มาตรฐาน ANSI Z359.13 เท่านั้น

- ASAP'SORBBER 20 และ 40 (ที่ผลิตในปี 2019 และรุ่นถัดไปเท่านั้น)

- ASAP'SORBBER AXESS

เชือกสั้นดูดซับแรงต้องไม่ถูกต่อความยาว (ทั้งนี้การเชื่อมต่อ (ความยาวมากที่สุดไ้ไม่เกิน 12 ซม) ที่ปลายแต่ละด้าน)

เชือก

ใช้ ASAP LOCK กับเชือก RAY 11- 12 mm

5. หลักการปฏิบัติงาน

ที่ความเร็วปานกลาง แกนล๊อคกลลลอมจะหมุน โดยอิงอิสระทั้งสองทิศทาง การโรยตัวลงไ้โดยความเร็วสูง แกนล๊อคกลลลอมจะหยุดหมุน เชือกจะถูกลิด โดยการบีบอิสระระหว่างกลลลอมและเฟรมของอุปกรณ์

6. ASAP การติดตั้ง, และ การทดสอบการใช้งาน

การเตรียมการ

ใช้เฉพาะสกรูตัวเล็กที่ติดมากับ ASAP LOCK

เท่านั้น หมุนเกลียวสกรูก่อนการลิดยึด

ลิดตั้งเชิงดูดกลูซึมแรงกดกระชากและปิด(แกนลิดยึด ขึ้นให้แน่น ควรวีเช็คว่าแกน และสกรูนั้นไ้ใส่ในตำแหน่งที่ถูกต้อง และ แน่นเพียงพอ

การลิดยึดกับสายรัดสะโพก

ใช้เฉพาะตัวล๊อค OXAN TRIACT-LOCK (international version) ร่วมกับ CAPTJV การลิดตั้ง เปิดตัวจับนิริกซ์เพื่อไ้เชือกเข้าไปในร่องของอุปกรณ์ ปิดสตั๊กเพื่อครอบลอมหมุนสำหรับล๊อคกลมหมุน

คำเตือน ASAP LOCK เป็นอุปกรณ์เกี่ยวกับทิศทาง และจะล๊อคในทิศทางเดียวเสมอ

อันตรายถึงชีวิตหากใช้งาน ASAP LOCK แบบพลิกกลับหัว

การปฏิบัติระหว่งการทดสอบของเคสการลิดตั้ง

การปลดล๊อค หลังจากการทดสอบ ท้าการปลดล๊อคกลลลอม อุปกรณ์จะสโลลเคลื่อนลงบนเชือกไ้ตามปกติ ระบบล๊อค คสตั๊กล๊อคเพื่อป้องกันไม่ให้ ASAP LOCK เลื่อนไหลลงมาตามเชือก ข้อควรระวัง ในกรณีที่มีลูกจับเหยียดด้วย ASAP LOCK จะไม่สามารถปลดล๊อคไ้หากมีน้ำหนักกดที่เชือก

7. ข้อควรระวังจากการใช้

เป็นไปไ้ที่จะล่องเท้ากร เคลื่อนที่และหยุดั้ง โดยการหมุนเลื่อนที่เชือก

ในขณะที่เคลื่อนตัวไ้ควรวีเช็คของสวมใส่มาว่า เชือกเลื่อนไหลไ้ปกติใน ASAP LOCK หลักเล็งการท้าให้เกิดการขยอนของเชือก ซึ่งจะท้าให้ระยะการตกเพิ่ม

มากขึ้นด้วย ความยาวสูงสุดของระยะการตก เป็นสองเท่าขอความยาวของเชือกสั้นดูดซับแรงรวมตัวล๊อคเชื่อมต้อ

ตัวขึ้นยังการตกแบบเคลื่อนที่ไ้ จะต้องไม่ใช้ลิดยึดกับเชือกมากกว่าหนึ่งส่วน

ตัวขึ้นยังการตกแบบเคลื่อนที่ไ้ จะต้องไม่ใช้ลิดยึดกับ ผู้ใช้งาน มากกว่าหนึ่งคน

น้ำหนักในกรทำงาน 130 lbs (58kg) ถึง 310 lbs (140kg)

ห้ามใช้ลิดยึดยังการตกแบบเคลื่อนที่ไ้ เมื่อผู้ใช้งาน อยู่ในตำแหน่งบนพื้นที่ผิวที่ไ้ไม่คงที่

วัสดุที่ผลิตจากเหล็กที่แข็ง หรือ แข็งเกินส่วนๆ เช่น กรวดทราย หรือ ฉาน

การเลื่อนตัว ASAP LOCK ไปบนเชือก ยากถ้ามันควยลุ่มมีทั้งเหล็ก การลึง ไ้ใช้ตัว

ดูดซับแรงกดกระชาก

การตกลงของแรมแบบยึดหมุนส่วนรวมท้าให้เชือกเสียขยไ้ได้ ถาเชือกสั้นที่ลิดยึด ASAP LOCK ถูกแรงกดลง ผู้ใช้ต้องจัดที่ระบบ backup อีกอันด้วย

การใช้งานบนพื้นที่ลาดเอียง

คำเตือน: ในกรณีของการเลื่อนไหลๆ เช่น บนหลังคาที่มีมุมเอียงต่ำ ASAP อาจไม่

ทำงานในทันที ต้องแน่ใจว่าไ้ผูกเลื่อนหยุดที่เชือก ถาความเสี่ยงต่อการจะไ้ประทุ

กับสิ่งกีดขวาง

8. ช่องว่างระหว่างจุดตก

ตำแหน่งของจุดที่สัมผัสกับตัวขึ้นยังการตก มีอิทธิพลต่อระยะการตกที่จะเกิดขึ้น ถา

คุณอยู่เหนือกว่าตัวขึ้นยังการตก - โดยไ้มีการหอนของเชือก - ระยะการตกที่จะเกิด

ขึ้นจะเป็นสองเท่าขอตัวดูดซับแรงกดกระชาก (รวมตัวล๊อคเชื่อมต้อ)

ช่องว่างของการตก คือจำนวนนอตที่ติดของระยะห่างจากพื้นที่ต้นไ้โดยของผู้ใช้งานที่

ถูกกำหนด เพื่อป้องกันผู้ใช้งานจากการถูกกระแทกกับวัตถุอื่นใดในกรณีที่มีการตก

ของว่างจุดคำนวณจาก

- ความยาวของการตก
- ระยะจากที่ ASAP LOCK หยุด
- ความยาวของเชือกดูดซับแรงที่หยุดกระชากออก
- ความสูงโดยประมาณของผู้ใช้งาน
- ลิดส่วนที่ปลดล๊อคระยะ 1 เมตร

ความยืดหยุ่นของเชือก (E) คับแปรตามสถานการณ์ที่ผลิตและจะต้องถูกบวกเพิ่มไ้เพื่อ

การคำนวณของว่างเพื่อความปลอดภัย

เพื่อทราบข้อมูลเพิ่มเติม คู่มือการใช้งาน ASAP LOCK ที่Petzl.com

คู่มือที่แสดงเป็นพื้นฐานของการลิดคำนวณทางพหุภูมิและการทดสอบการตกโดยใช้

น้ำหนักถ่วง

ในระบบขั้วยังการตก ให้คำนวณความยาวของตัวเชื่อมต้อใดๆ ที่อาจมีผลต่อระยะทาง

ของการตกด้วย

9. การทำความสะอาด การบำรุงรักษา

หลักเล็งการหยุดใส่ไ้มีน้ำมันในระบบลคของอุปกรณ์

การทำความสะอาดของอุปกรณ์ ไม่แนะนำไ้ใช้สารละลาย แดงใช้ร่วมกับแปรง

ไ้ หลักเล็งการหยุดใส่สารละลายใดๆ ในระบบลค

10. ข้อมูลเพิ่มเติม

ระยะทางสูงสุดของการหยุดกระชาก ตามมาตรฐาน ANSI Z359.15 11 ไ้ (3.35เมตร)

- คุณจะต้องมีแผนการกู้ภัยและวิธีการท้าได้อย่างรวดเร็วในกรณีทีประสบความขยัก

ขึ้นในขณะที่ใช้อุปกรณ์นี้

- จุดผูกยึดในระบบ จะต้องอยู่เหนือตำแหน่งของผู้ใช้งาน และท้าตามข้อกำหนดของ

มาตรฐาน EN 795 (ความแข็งแรงแรงตง ไม่น้อยกว่า 12 kN)

- ในระบบขั้วยังการตกเป็นสิ่งสำคัญที่จะต้องตรวจสอบเช็คพื้นที่ว่างด้านบนของผู้ใช้งาน

ก่อนการใช้งานทุกครั้ง เพื่อหลักเล็งการหอนไปกระแทกกับพื้นหรือสิ่งกีดขวางใน

กรณีทีมีการตกเกิดขึ้น

- ต้องแน่ใจว่า จุดผูกยึดอยู่ในตำแหน่งที่ถูกต้อง เพื่อช่วยลดความเสี่ยงจากการแกว่ง

ไปมา และระยะการตก

- สายรัดนิริกซ์เป็นเพียงอุปกรณ์ที่ช่วยพยุงร่างกาย ในระบบขั้วยังการตกเท่านั้น

- เมื่อใช้อุปกรณ์หลายชนิดรวมกันอาจเกิดผลระขอความปลอดภัยในกรณีทีอุปกรณ์

ชนิดหนึ่งถูกกดประสิทธิภาพลงด้วยระบบประกอบเพื่อความปลอดภัยของอุปกรณ์

ชนิดอื่น

- คำเตือน อันตราย ดูแลอุปกรณ์โดยหลักเล็งการถูกสัมผัสกับสารกัดกร่อน หรือวัตถุ

ที่มีพื้นที่ผิวแหลมคม

- ผู้ใช้งานต้องมีสภาพร่างกายแข็งแรง เหมาะกับกิจกรรมในที่สูง คำเตือน การห้อย

ตัวอยู่ในสายรัดสะโพกเป็นเวลานานอาจมีผลท้าให้เกิดการบาดเจ็บสาหัส หรืออาจ

ถึงแก่ชีวิต

- คู่มือการใช้งานของอุปกรณ์แต่ละชนิดที่ ใช้เชื่อมต้อกับอุปกรณ์นี้ต้องปฏิบัติตาม

อย่างเคร่งครัด

- อุปกรณ์ ถูกส่งไปจำหน่ายขั้วยังนอกอาณาเขตของประเทศผู้เป็นแหล่งผลิต ด้วยแทน

จำหน่ายจะคงจัดทำคู่มือการใช้งานในภาษาท้องถิ่นของประเทศที่อุปกรณ์นี้ถูกนำ

ไปใช้งาน

- แนะนำว่าป้ายเครื่องหมายที่ติดบนอุปกรณ์สามารถอ่านได้ชัดเจน

ควรยกเลิกการใช้ของอุปกรณ์เมื่อไร

ข้อควรระวัง ในกิจกรรมทีมีการใช้ขยงบนแรงงาท้าให้อุปกรณ์คงถูกเลิกใช้แม้หลัง

จากการใช้งานเพียงครั้งเดียวทั้งนี้ ขึ้นอยู่กับชนิดของการใช้งานและสภาพแวดล้อม

(สภาพที่แข็งแรงทนทานที่ไกลทะเล สิ่งขยงมีคม เครื่องจักรที่ล้าถึงเคลื่อนไหว ความ

เสี่ยงจากการเสไฟฟ้า สภาพอากาศที่รุนแรง สารเคมี ฯลฯ)

อุปกรณ์จะคงเลิกใช้ เมื่อ

- ใดค้มีการกดกระชากอย่างรุนแรง (หรือเกินขีดจำกัด)

- เมื่อไม่ผ่านการตรวจสอบสภาพ เมื่อมีข้อสงสัยหรือไม่ไ้

- เมื่อไม่ทราบถึงประวัติการใช้งานมาก่อน

- เมื่อครุ่น ลาสมีขยักการเปลี่ยนกฎเกณฑ์มาตรฐานเทคนิค หรือ ความเข้ากันไม่ไ้

กับอุปกรณ์อื่น

ถ้าลยอุปกรณ์เพื่อหลักเล็งการนำกลับมาใช้อีก

สัญลักษณ์

A. ไ้จำกัดอายุการใช้งาน - B. สภาพภูมิอากาศ ที่สามารถใช้งานไ้ได้ - C. ข้อควรระวัง

การใช้งาน - D. การท้าความสะอาดเข้าชื่อไรล - E. การท้าให้แห้ง - F. การเก็บรักษา/

การขนส่ง - G. การบำรุงรักษา - H. การดัดแปลงเพิ่มเติม/การซ่อมแซม (ไม่อนุญาต

ให้ท้าขยของโรงงานของ Petzl ถาส่วนส่วนที่ผ่านการไหลแทนไ้) - I. คำเตือน/ลิดลย

อุปกรณ์มีการรับประกันเป็นเวลา 3 ปี

เกี่ยวกับลิดลยหรือความบกพร่องจากการผลิต ข้อถ่วงนจากการรับประกัน การ

ชำระค่าบริการจากการใช้งานตามปกติ ปฏิบัติการตามเครมไ้ การแก้ไขดัดแปลง การ

เก็บรักษาไม่ถูกวิธี ขาดการดูแล การนำไปใช้งานที่นอกเหนือจากที่อุปกรณ์ได้ออก

เครื่องหมยคำเตือน

1. สถานการณ์ที่อาจเกิดขึ้นอันตรายบาดเจ็บสาหัส หรือ เสียชีวิต 2. มีความเสี่ยง

ในการเกิดอุบัติเหตุ หรือ การบาดเจ็บ 3. ข้อมูลสำคัญเกี่ยวกับระบบการทำงาน หรือ

คุณสมบัติของอุปกรณ์ 4. ความเข้ากันไม่ไ้ของอุปกรณ์

เครื่องหมยและข้อมูล

a. มีคุณสมบัติตามที่กำหนดของอุปกรณ์ PPE ที่เฉพาะที่บอกริงการตกลงผ่าน

มาตรฐาน EN 1381 - b. หมายเลขรับรองที่ผ่านการทดสอบที่ไ้ในการควบคุมการผลิต

ของ PPE นี้ - c. การเก็บมาตรฐาน ข้อมูลแหล่งกำเนิด - d. ความเข้ากันไ้กับเชือก - e.

หมายเลขลำดับ - f. ปีที่ผลิต - g. เดือนที่ผลิต - h. หมายเลขลำดับการผลิต - i. หมายเลข

กำกับตัวอุปกรณ์ - j. มาตรฐาน - k. อานคู่มือการใช้โดยละเอียด - l. ข้อมูลระบุรุ่น - m.

ค่าล่าสุดของแรงกด - n. ANSI/ASSE มาตรฐานรับรอง